

PART NAME

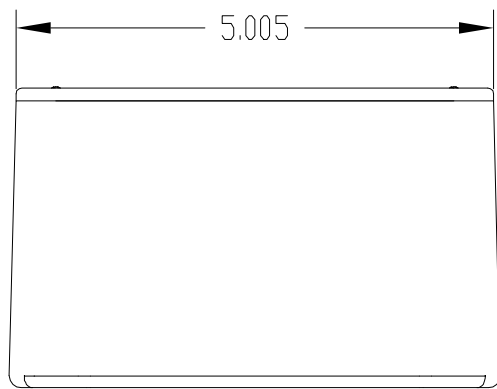
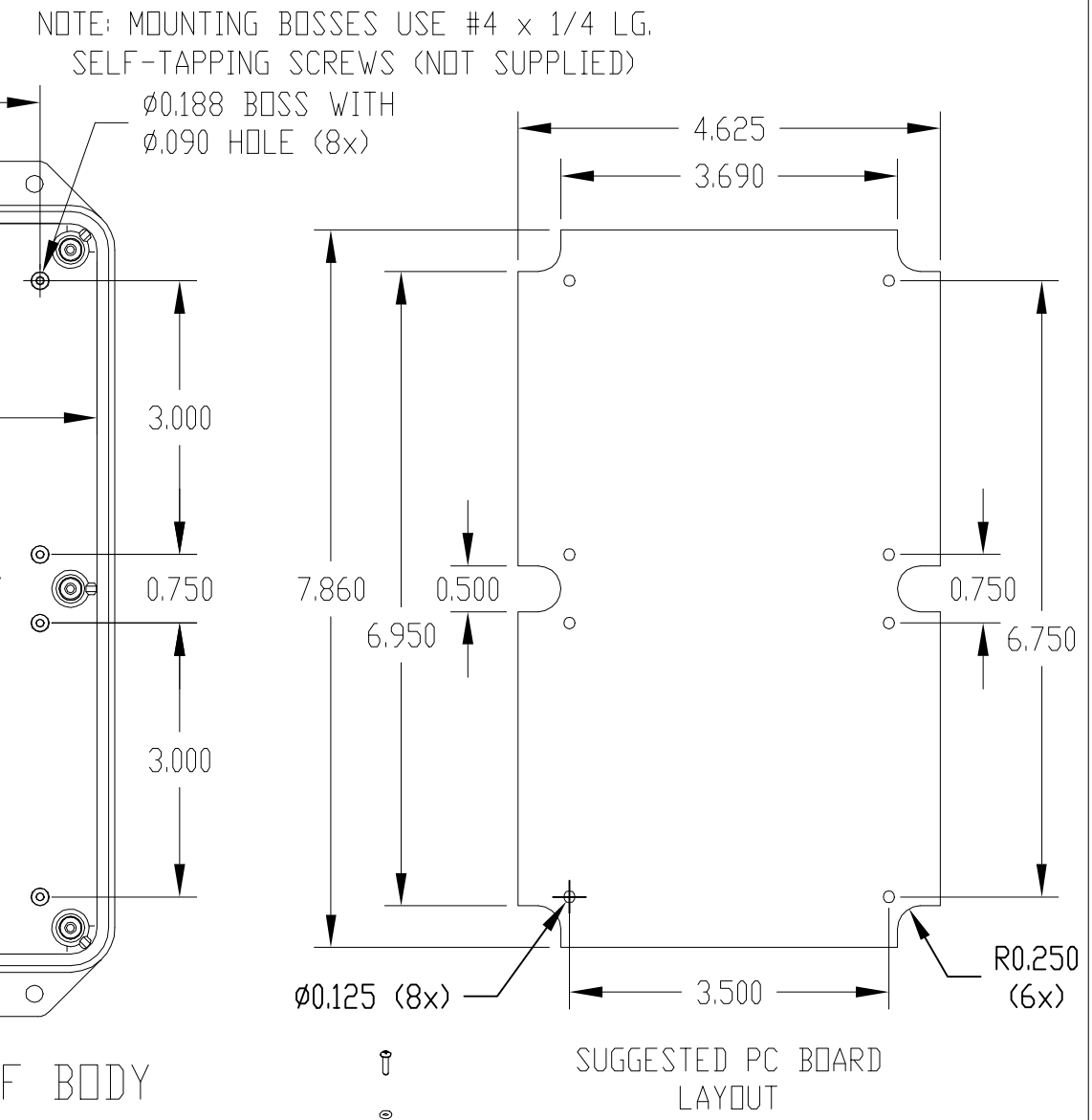
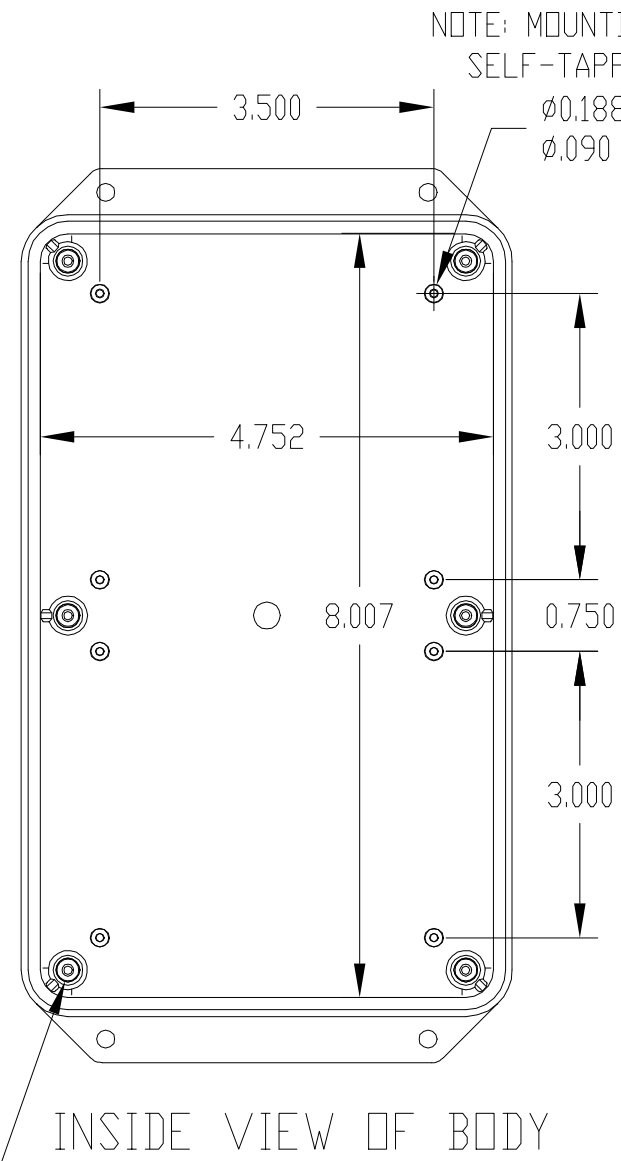
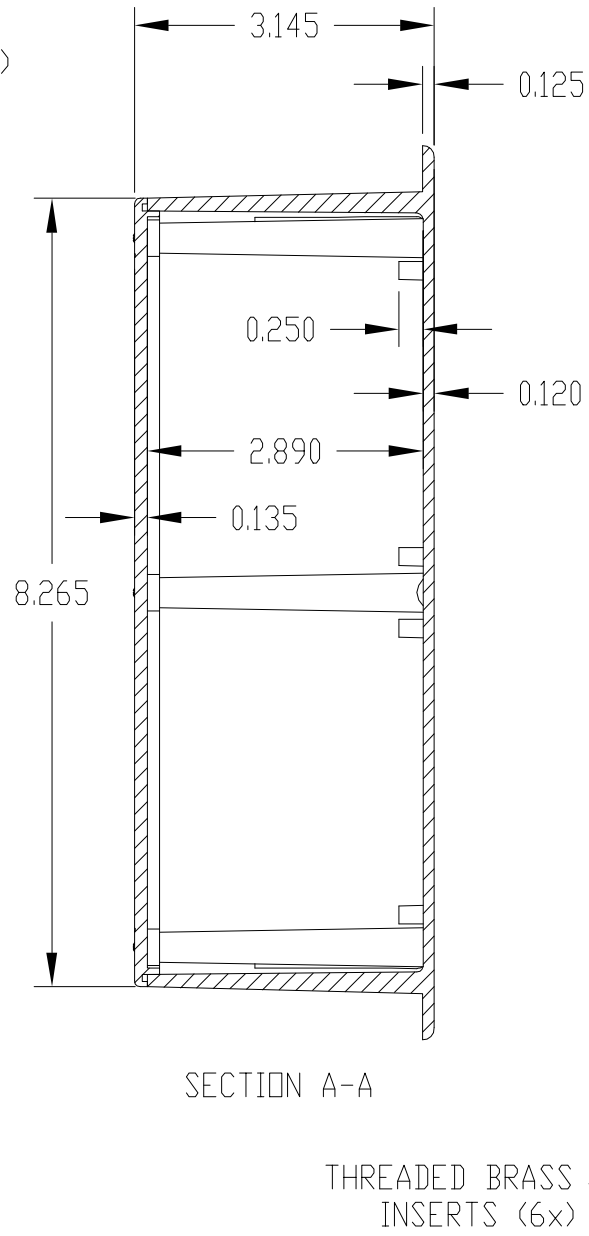
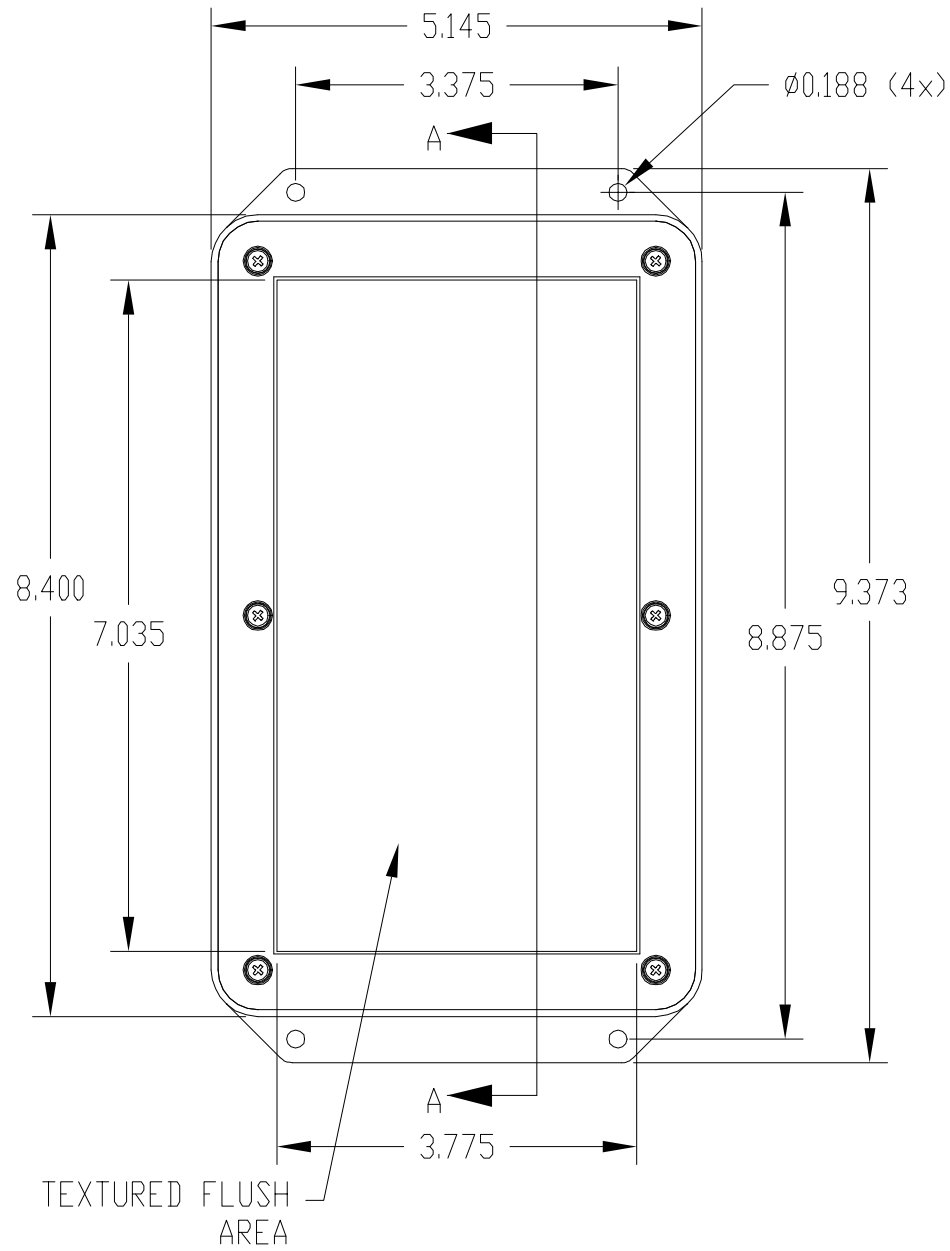
NEMA PLASTIBOX STYLE J

PART No.

PT-11800

REVISION DATE

7-27-09



MEETS NEMA 4X AND IP65 RATINGS

INCLUDES  $\phi .072$  THK. COVER GASKET AND SIX (6)  $\phi .072$  THK. O-RINGS FOR COVER SCREWS. COVER SCREWS ARE #4-40 x 1/2" LG. MACHINE (BLACK).

MATERIAL: ENCLOSURE - ABS WITH UL94-5VA FLAMMABILITY RATING  
GASKET & O-RINGS - BUNA

FINISH: ENCLOSURE - TEXTURED BLACK  
GASKET & O-RINGS - BLACK

ALL DIMENSIONS HAVE  $\pm .015$  TOLERANCE

