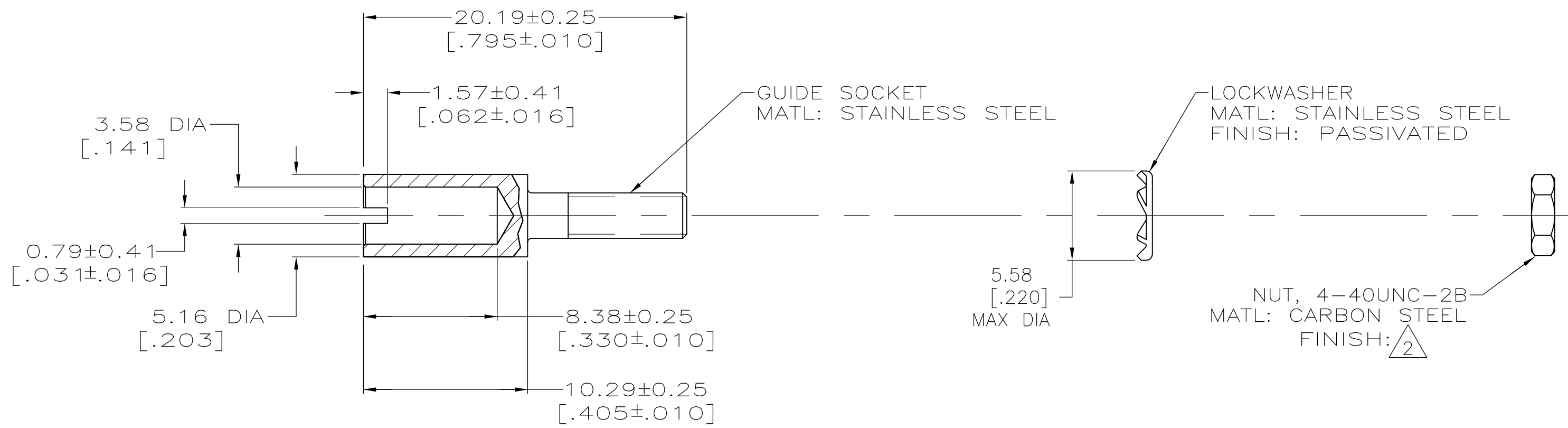


THIS DRAWING IS UNPUBLISHED. RELEASED FOR PUBLICATION  
 © COPYRIGHT BY TYCO ELECTRONICS CORPORATION. ALL INTERNATIONAL RIGHTS RESERVED.

LOC	DIST	REVISIONS					
FT	0	P	LTR	DESCRIPTION	DATE	DWN	APVD
			W2	REVISED PER ECO-10-021995	12JAN11	HMR	MG



- $\triangle 2$  ZINC PLATE WITH NON-HEXAVALENT CHROMIUM.
- $\triangle 3$  OBSOLETE PARTS: OBSOLETE CIS STREAMLINING PER D.RENAUD/D.SINISI

	$\triangle 2$	STANDARD	1-200835-1
$\triangle 3$ SUPERSEDED	$\triangle 2$	SMALL PACK	1-200835-0
SUPERSEDED BY 1-200835-1	$\triangle 2$	STANDARD	200835-2
		NUT FINISH	PACKAGING TYPE
			PART NO.

THIS DRAWING IS A CONTROLLED DOCUMENT.		DWN D.GELTZ 04/20/93	Tyco Electronics Corporation Harrisburg, PA 17105-3608	
DIMENSIONS: mm [INCHES]		CHK R.STONE 4-23-93	NAME	
TOLERANCES UNLESS OTHERWISE SPECIFIED:		APVD -	PRODUCT SPEC	
0 PLC ± -		APPLICATION SPEC	GUIDE SOCKET KIT, UNASSEMBLED, CORNER, MINIATURE RECTANGULAR, M SERIES	
1 PLC ± -		WEIGHT -	SIZE A3	CAGE CODE 00779
2 PLC ± 0.38 [015]			DRAWING NO C-200835	RESTRICTED TO -
3 PLC ± -			SCALE 4:1	SHEET 1 OF 1
4 PLC ± -			REV W2	
ANGLES ± -				
MATERIAL SEE CALLOUTS	FINISH SEE CALLOUTS	CUSTOMER DRAWING		