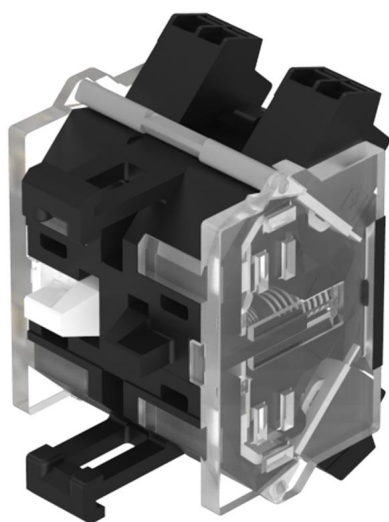


EAO – Your Expert Partner for Human Machine Interfaces

704.918.3 - Switching element for emergency-stop switch

704.918.3 - Switching element for emergency-stop switch



Attention: The preview is based on a sample product. This can differ from your current configuration.

Other Attributes

Weight 0,026 kg

Connection Method

Terminal Push-in Terminal

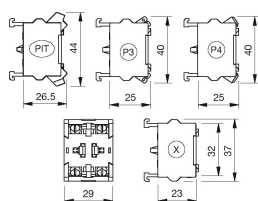
Switching element

Switching voltage 250 V AC
Switching current 6 A
Switching system Slow-make switching element
Contact material Silver
Contacts 2 NO

EAO – Your Expert Partner for Human Machine Interfaces

704.918.3 - Switching element for emergency-stop switch

Dimensions



PIT = Push-in terminal

Wiring diagram

