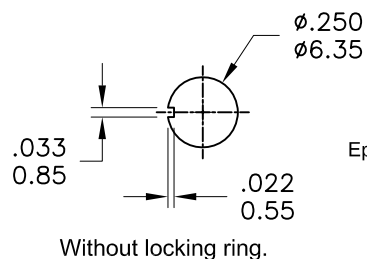
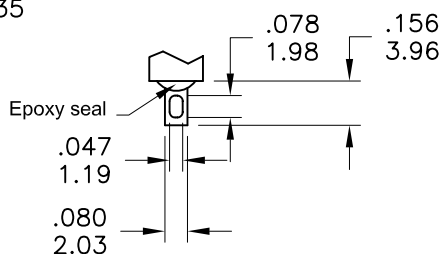


| Model No. | POS.1 | POS.2 | POS.3 |
|-------------|---------|-------|---------|
| | | | |
| 1MD1 | ON | NONE | ON |
| Term. Comm. | 2-3,5-6 | | 2-1,5-4 |
| SCHEMATIC | | | |
| | OPEN | | |

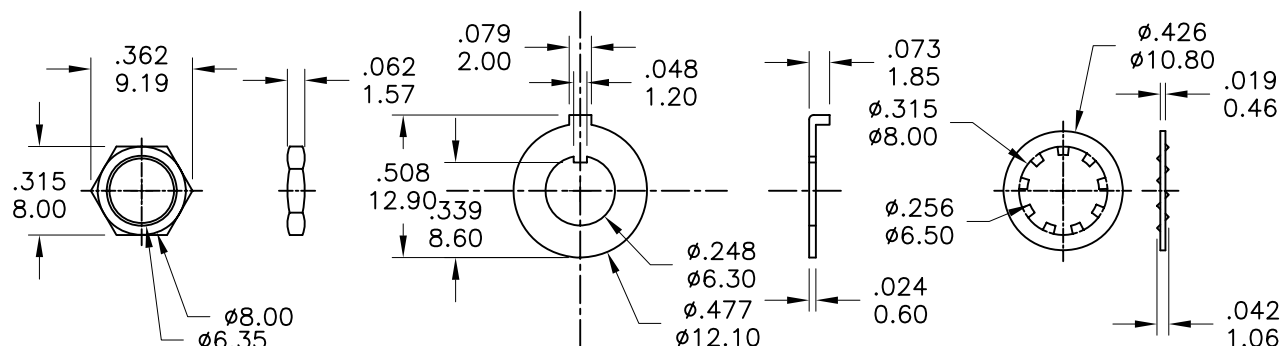
SWITCH FUNCTION



PANEL MOUNTING



SOLDER LUG



SPECIFICATIONS

MECHANICAL LIFE: 40,000 make-and-break cycles.
CONTACT RESISTANCE: 10mΩ max. initial @ 2-4VDC
 100mA for both silver and gold plated contacts.
INSULATION RESISTANCE: 1,000MΩ min.
DIELECTRIC STRENGTH: 1,000 V RMS@sea level.
OPERATING TEMPERATURE: -30°C to 85°C.

MATERIALS

CASE: Dially phthalate (DAP) (UL94v-0).
ACTUATOR: Brass,chrome plated.
BUSHING: Brass,nickel plated.
HOUSING: Stainless Steel.
TERMINAL/CONTACT: Silver or gold plated.
SWITCH SUPPORT : Brass , Tin plated.

RATING :

R : 0.4 Volt-Amps(VA) max. @20V max.(AC or DC)
 Q : 2Amps @250VAC
 5Amps @120 VAC or 28 VDC

RS Article # 394453

| 符號 | 原尺寸 | 修改後尺寸 | 變更日期 | SCALE (比例) : 3 : 2 | TITLE 圖名 | Miniature Toggle Switches | SIZE 圖紙 | A4 | | |
|----|-----|-------|------|---|---------------|---------------------------|---------|-----------------|----------|--------|
| 1 | (A) | | | TOLERANCE (公差) : 0.00 mm ± 0.25mm 0.0 mm ± 0.40mm ANGULAR : ± 5° FILE NAME : 1MDP0588 | DWG NO. 圖號 | 1MD1T6-1B11M1QES-1 | UNIT 單位 | inch mm | | |
| 2 | (B) | | | | REV. 版本 | A | DATE 日期 | AUG - 23 - 2006 | SHEET 張數 | 1 of 1 |
| 3 | (C) | | | | CHECKED BY 審核 | RICHARD | | DRAWN BY 製圖 | ODA | |
| 4 | (D) | | | | | | | | | |
| 5 | (E) | | | | | | | | | |