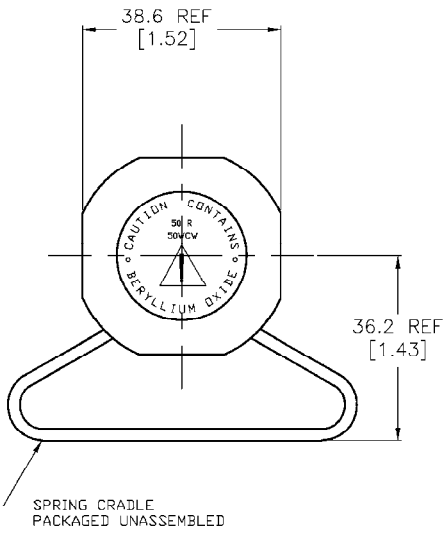
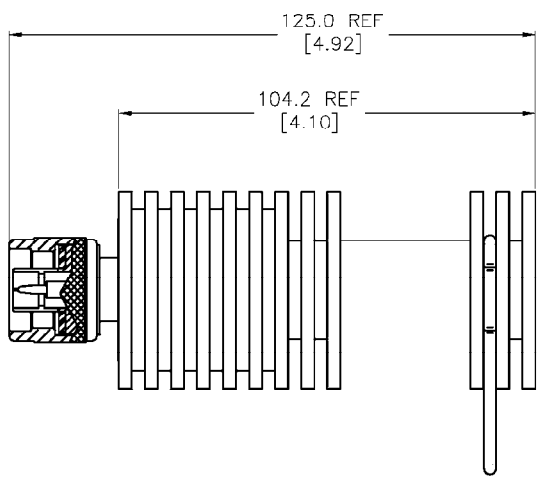


LOG	REV	DESCRIPTION	DATE	BY	APP
AJ	-				
	A	REDRAWN ON CAD	25JUL02	GM	GM



THIS DRAWING IS A CONTROLLED DOCUMENT.		DR: G. MICHAEL 25JUL2002	Tyco Electronics Corporation	
DRAWING NO: 1404420		CHK: G. MICHAEL 25JUL02	Middletown, PA 17057	
DESIGNED BY: G. MICHAEL		DATE: 25JUL02	N SERIES PLUG TERMINATOR 50 OHM, 50 WATT	
CHECKED BY: G. MICHAEL		DATE: 25JUL02	RESTRICTED TO	
MATERIAL: -		FINISH: -	SIZE: A2	QSE CODE: 00779
CUSTOMER DRAWING		SCALE: 1:1	SHEET: 1 of 1	REV: A

LOC	DIST	REVISIONS					
AJ	—	P	LTR	DESCRIPTION	DATE	DWN	APVD
		0		REDRAWN ON CAD	25JUL02	GM	GM

THIS DRAWING IS UNPUBLISHED.

ALL RIGHTS RESERVED.

BY TYCO ELECTRONICS CORPORATION.



1404420-1	1329823-1
MATERIAL	PART NUMBER

DIMENSIONS: MM TOLERANCES UNLESS OTHERWISE SPECIFIED: 0 PLC ± - 1 PLC ± - 2 PLC ± - 3 PLC ± - 4 PLC ± - ANGLES ± -	DWN G. MICHAEL 25JUL2002 CHK G. MICHAEL 30JUL02 APVD G. MICHAEL 30JUL02	MATERIAL - FINISH -	Tyco Electronics Corporation Middletown, PA 17057 NAME N SERIES PLUG TERMINATOR, 50 OHM, 50 WATT
	PRODUCT SPEC - APPLICATION SPEC - WEIGHT -	SIZE A4 CAGE CODE 00779 DRAWING NO C-1329823	
CUSTOMER DRAWING		SCALE 1:1	SHEET 1 OF 1 REV 0

