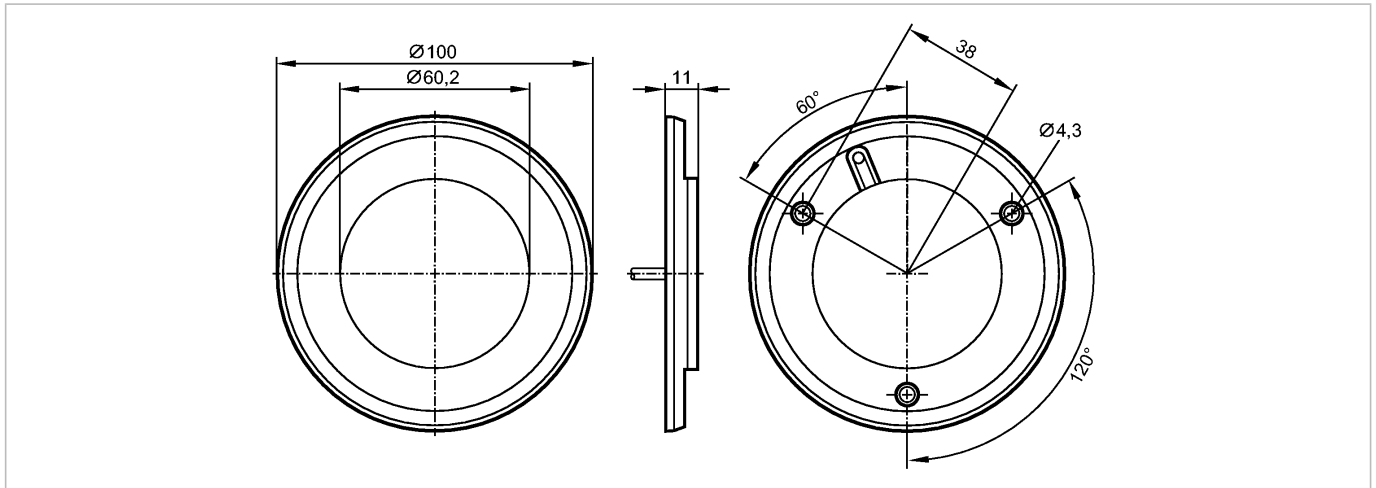


KT5010

KTRBFNUKBPKG/2M/DYN/AM

Touch sensors



Made in Germany

Product characteristics

Touch sensor

Plastic housing

Cable

Touch sensor with dynamic evaluation principle

Without coloured surround

Electrical data

Electrical design		DC PNP
Operating voltage	[V]	24 DC (12...36 DC)
Current consumption	[mA]	30
Protection class		III
Reverse polarity protection		yes
Overvoltage protection	[V]	yes

Outputs

Output function		normally open
Current rating	[mA]	500
Duration of output signal [ms]		300
Short-circuit proof		yes

Environment

Ambient temperature	[°C]	-40...85
Protection		IP 69K; on the front

Tests / approvals

MTTF	[Years]	4904
------	---------	------

Mechanical data

Housing materials		window: Polyamide (Grilamid TR 90UV); fixing ring: polycarbonate-ABS black
Weight	[kg]	0.14

Displays / operating elements

Output status indication	LED	Red
Operation	LED	green
Display		8 LED

Electrical connection

Connection		PUR cable / 2 m
------------	--	-----------------



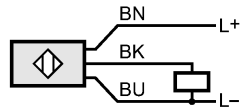
KT5010

KTRBFNUKBPKG/2M/DYN/AM

Touch sensors

Wiring

- 1: brown
- 3: blue
- 4: black



Accessories

Accessories (optional)

surround in different colours

Remarks

Pack quantity [piece] 1