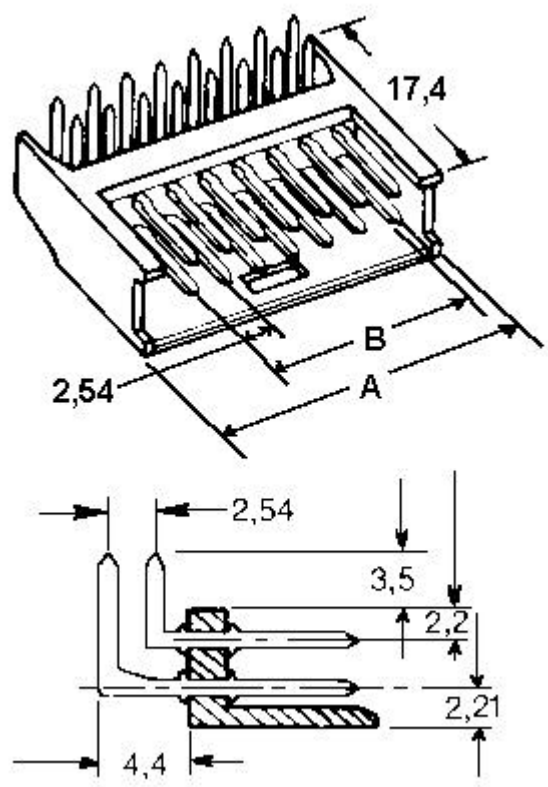


280389-2 -- 1 of 1 products

AMPMODU
Through Hole Headers

General **INFO**
Sales **INFO**
Customer Drawings **SPECIFICATIONS**



Line art represents typical product only.

[PCB Layout](#)

Searchable Features:

# of Rows	Dual
# of Positions	8
Breakaway Header	No
Profile	Standard
Shrouded	Yes
PCB Mount Angle	Right Angle
PCB Retention Feature	Without
Surface Mount Compatible	No
Contact Mating Area Plating	Gold (15)
Board Standoff	Without
Mounting Ears	Without
Panel Attachment	No
Mating Connector Lock	With
Mating Connector Lock Type	Detent Windows
High Temperature Housing	No
Housing Style	3-Sided

Other Properties:

Dim. A	.500 [12.70] in. [mm]
Dim. B	.300 [7.62] in. [mm]
Contact Material	Brass
Housing Material	Glass-filled Thermoplastic
Housing Flammability Rating	UL 94V-0
Housing Color	Black