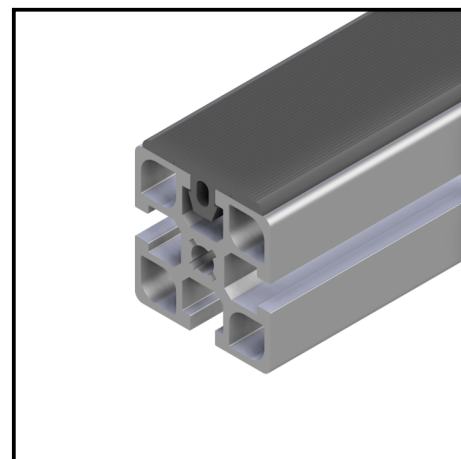
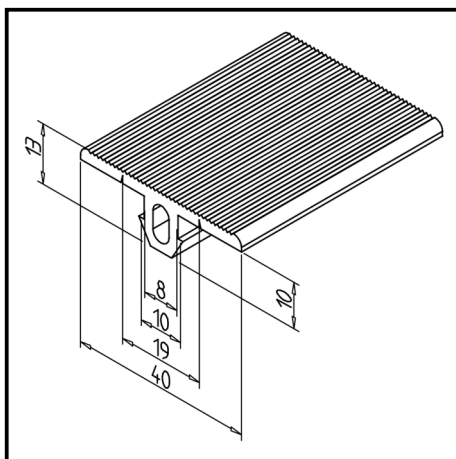
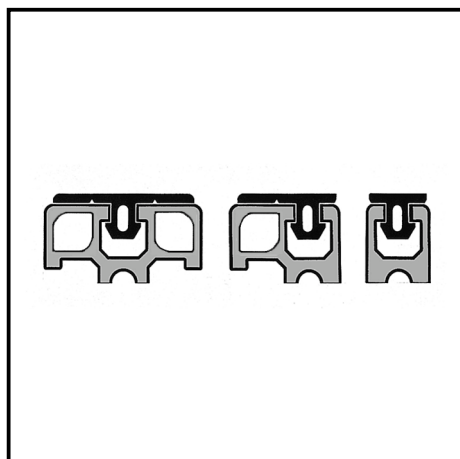


COVER PROFILE 45 EPDM GREY

Article Nr. 22.1098/1

[See the product on the website](#) →

[Download CAD Files](#) →



TECHN. DATA / ITEMS SUPPLIED

- EPDM, extruded, grey
- Hardness (Shore A) 70°
- Roll length 50 m
- Weight = 0.230 kg/m

APPLICATIONS

- Edge Protection
- Safety requirement step
- Ladders
- Material shelves

ASSEMBLY

- Press into profile groove
- The lower side of the profile has 2 tear-off notches for adjustment of width to the aluminium profile