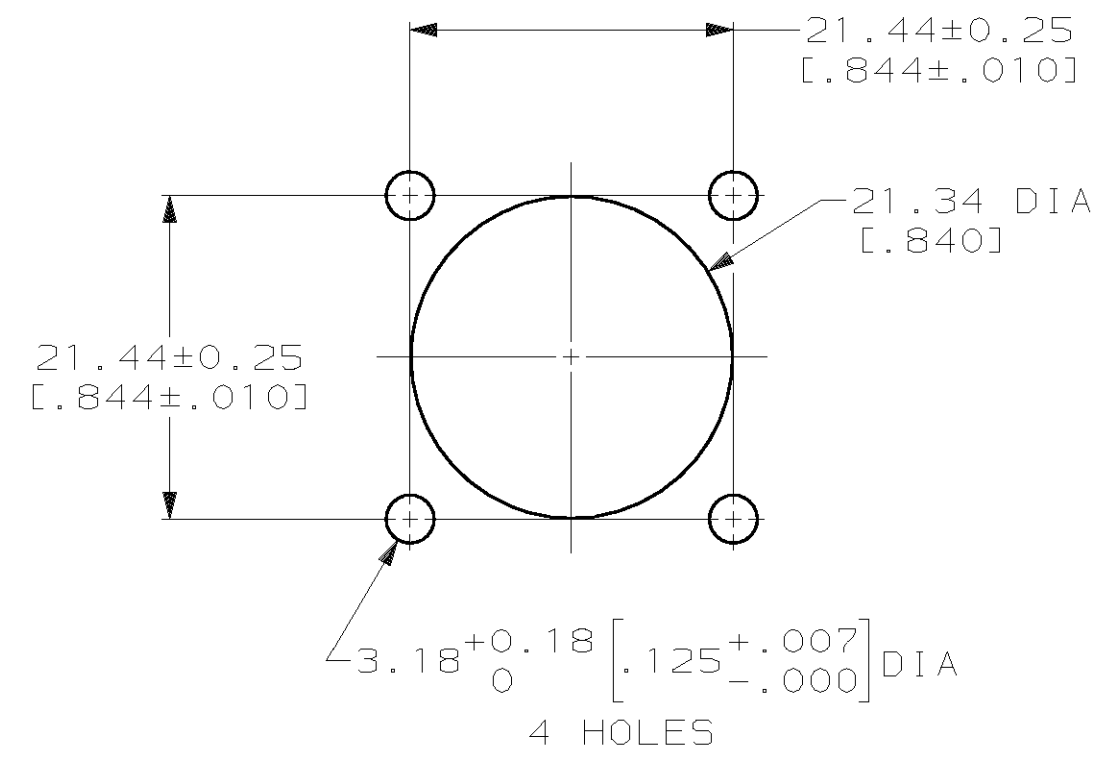
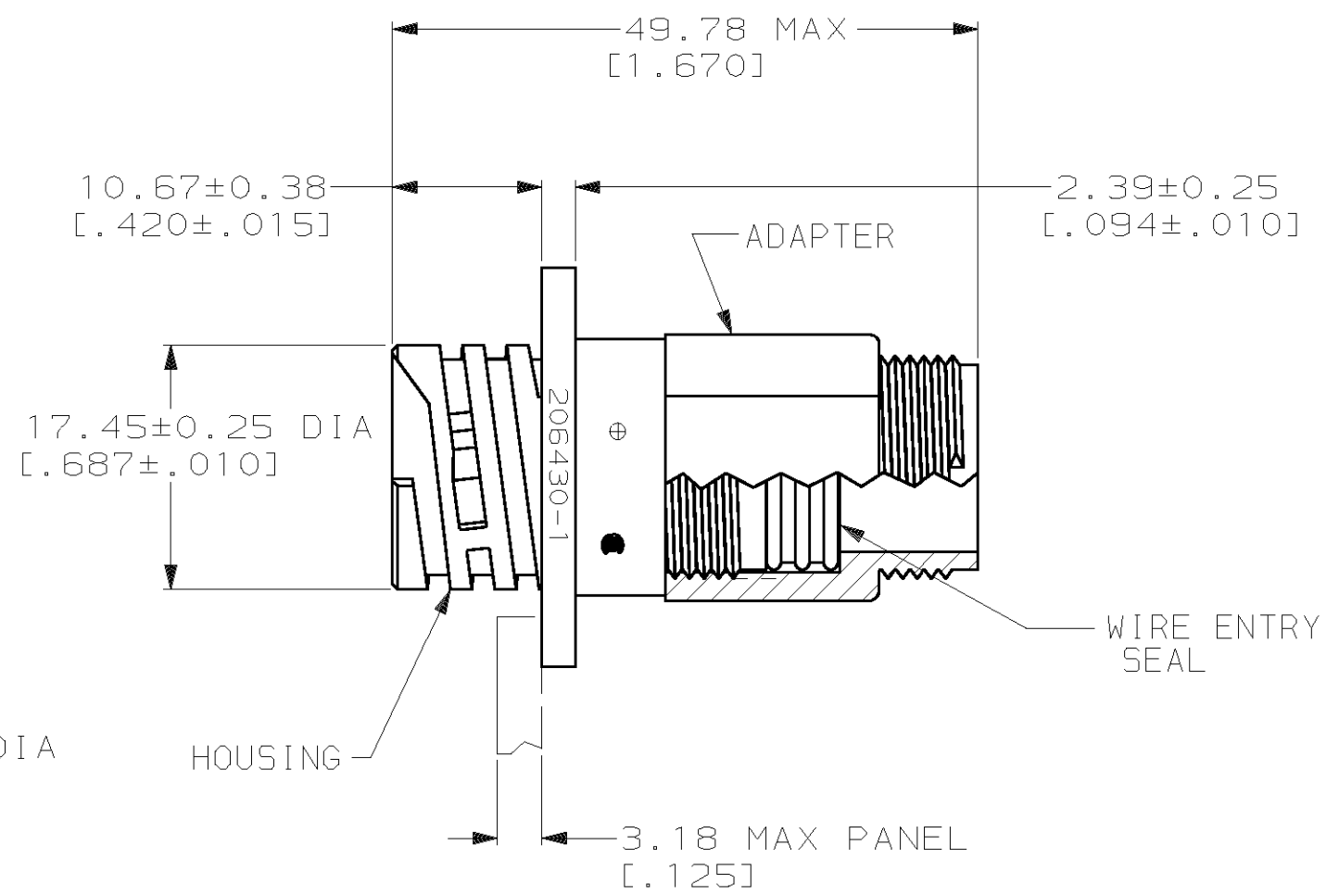
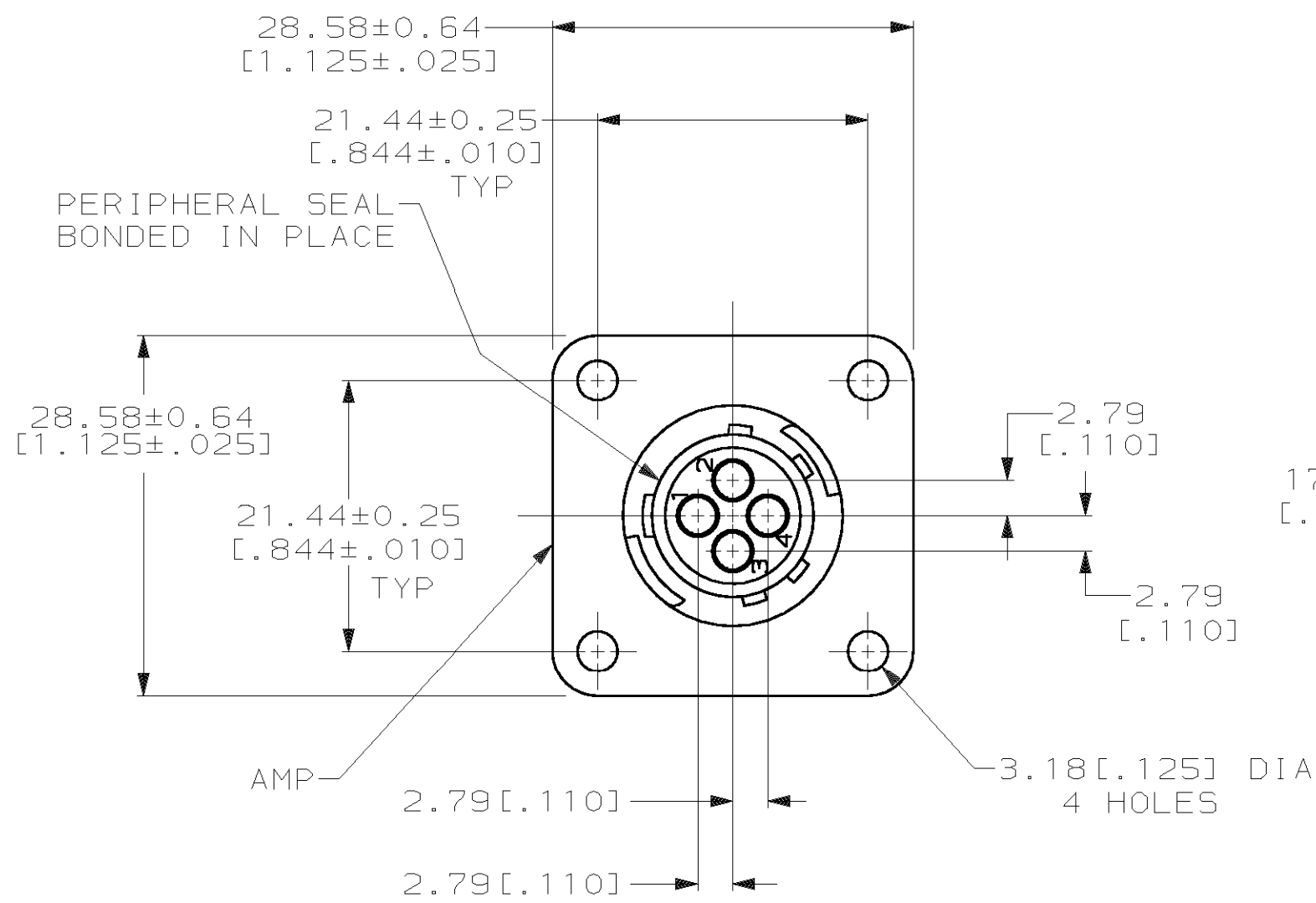


THIS DRAWING IS UNPUBLISHED. RELEASED FOR PUBLICATION, 19 .  
 © COPYRIGHT 19 BY AMP INCORPORATED. ALL RIGHTS RESERVED.

LOC	DIST	REVISIONS			
P	LTR	DESCRIPTION	DATE	DWN	APVD
FT	0				
	0	RELEASED -2 PER NPR 5730	22 OCT 99	DH	KD



- 1 HOUSING & ADAPTER: NYLON 6/6, BLACK.  
 WIRE ENTRY SEAL: ELASTOMER, RED.
- 2. THIS CONNECTOR WILL ACCEPT FOUR (4) MULTIMATE SOCKET CONTACTS.

788154-2  
 PART NUMBER

THIS DRAWING IS A CONTROLLED DOCUMENT.		DWN P. BENNINGHOVE 01 OCT 97	<b>AMP</b> AMP Incorporated Harrisburg, PA 17105-3608	
		CHK K. DOWHOWER 28 OCT 99		
DIMENSIONS: mm [INCHES]		APVD K. DOWHOWER 28 OCT 99	NAME RECEPTACLE ASSEMBLY, 11-4, REVERSE SEX, SERIES I, SEALED, CPC	
TOLERANCES UNLESS OTHERWISE SPECIFIED:		PRODUCT SPEC 108-1579	SIZE CAGE CODE DRAWING NO RESTRICTED TO	
0 PLC ±-		APPLICATION SPEC 114-10038	A3 00779 C- 788154	
1 PLC ±-		WEIGHT -	SCALE 2:1 SHEET 1 OF 1 REV 0	
2 PLC ±0.13 [.005]		CUSTOMER DRAWING		
3 PLC ±-				
4 PLC ±-				
ANGLES ±-				
MATERIAL 1				
FINISH -				