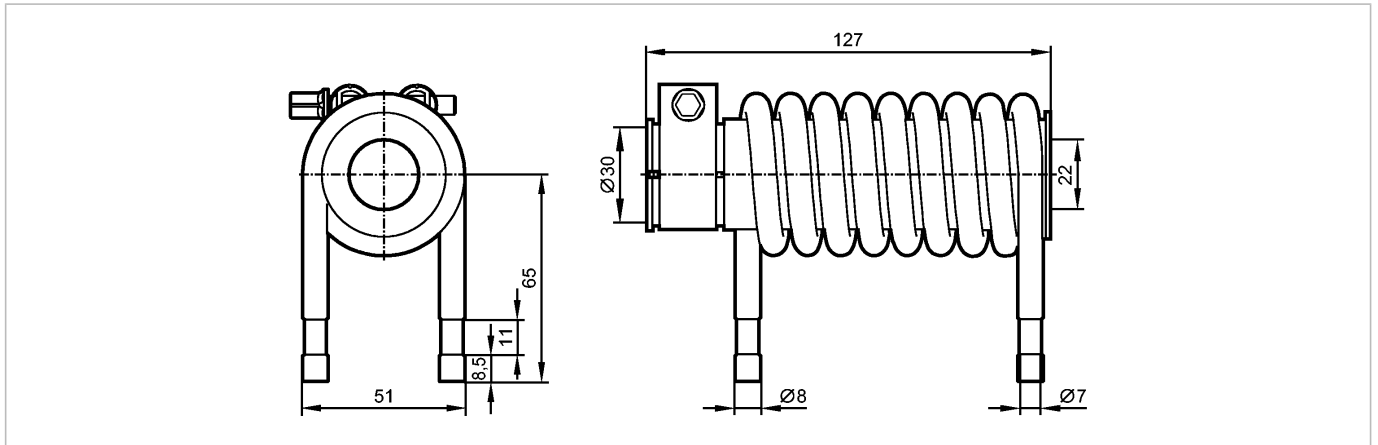


E35068

COOLING JACKET

Accessories



Product characteristics

Cooling jacket

for infrared temperature sensors TWxxxx, M30 design

Application

Application

Environment

Pressure rating

E35068

COOLING JACKET

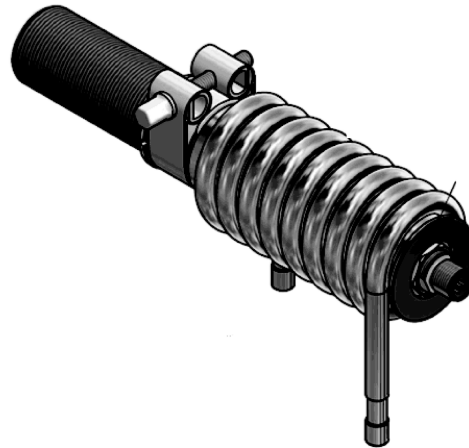
Accessories

Mechanical data

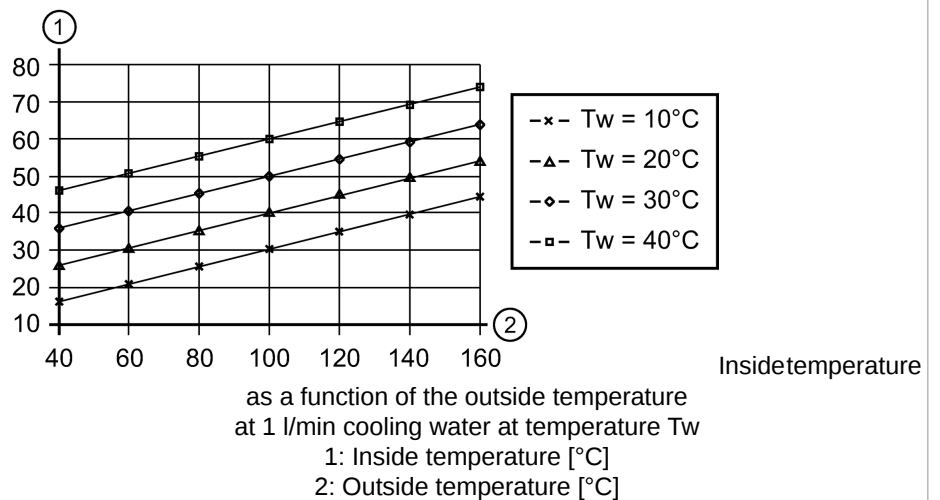
Design	for types TW
Housing materials	304 / 1.4301 (V2A)
Weight [kg]	0.484
Flow rate	1.0 l/min (empfohlen)

A. Installation
B. Cooling performance

A.



B.



Remarks

Pack quantity [piece]	1
-----------------------	---