

# Industrial Audible Signal 100 dB (A) Series YA30



- > Max sound output 100 db (A) / 1 m
- > IP65 rated as standard
- > 32 selectable tones meeting international regulations
- > Flame retardant ABS enclosure
- > Stainless steel fixings
- > 2 stage alarm
- > Independently selectable second stage
- > Sound selection via 5 way DIL switch
- > Low current consumption
- > Robust, reliable and simple to install



14575E00

E5

**Yodalarm range**  
Compact, robust multi-purpose audible signalling device designed for use in industrial applications.

### Approvals

Certificates	
	UL 464
	C22.2 No. 205-M1983
 0086-CPR-96705	BS EN 54-3 : 2001 incorporates amendment A 1 : 2002 + A 2 : 2006
	BS EN 54-3 : 2001 incorporates amendment A 1 : 2002 + A 2 : 2006
	EN54-3 : 2001 + A1 : 2002 + A2 : 2006 VdS 2504 (12/96), VdS 2203 (03/01), VdS 2344 (12/05), Cert No. G28702
	Marine Equipment Directive MED Module B BSI/MED/A.1/3.53/590299, Module D BSI/MED/PC/590302

# Industrial Audible Signal 100 dB (A)

## Series YA30



### Selection Table

Version	Enclosure colour	Rated operational voltage	Order number	Art. no.	Weight kg
YA30 Sounder, BS EN 54-3 + MED, standard devices	red flame (RF)	24 V DC	YA30/D/RF/WR	204276	0.320
		115 V AC	YA30/L/RF/WR	204289	0.390
		230 V AC	YA30/N/RF/WR	204296	0.390
YA30 Sounder, UL certification	red flame (RF)	24 V DC	YA30/D/RF/UL	209640	0.320
		115 V AC	YA30/L/RF/UL	204301	0.390
		230 V AC	YA30/N/RF/UL	204302	0.390
YA30 Sounder, VDS certification	red flame (RF)	24 V DC	YA30/D/RF/WR/VDS	211126	0.320

Note Other voltages and variants are available. Please contact your local sales office for more details

### Technical Data

#### Electrical data

Rated operational voltage	24 or 48 V DC 115 or 230 V AC	
Current consumption	24 V DC	37 mA
	115 V AC	27 mA
	230 V AC	20 mA
	at tone 1	
Operational parameters	+ or - 10% of nominal	
Line monitoring	line monitoring excludes additional voltage options: 3 wire, 2 stage or 2 wire, single stage: monitor via reverse polarity 2 wire, 2 stage i.e. bi-polar inputs: monitor via threshold (applied voltage < 1 V)	

#### Acoustic data

Volume	max. 100 dB (A)
Volume control	18 dB (A) adjustment
Sound stages	2, independently selectable tones
Sound selection	via DIL switch

#### Ambient conditions

Operating temperature range	Standard variants:	-25 ... +55 °C
	VDS certified variants:	-25 ... +40 °C
	UL certified variants:	-35 ... +66 °C
Storage temperature	-40 ... +70 °C	
Max. relative humidity	93% ± 3 at 40 °C	

#### Mechanical data

Material	
Enclosure	flame retardant ABS
Assembly parts	stainless steel fixings
Labels	polyester foil, adhesive
Degree of protection	IP65 (IEC60529)

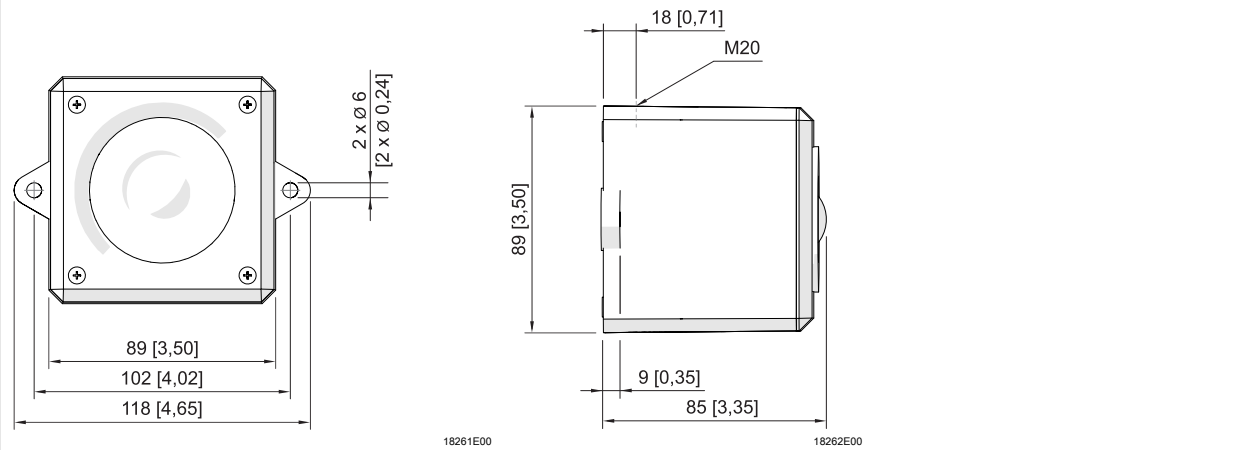
#### Mounting / Installation

Assembly	Should be mounted to a reasonably flat wall or bulkhead of suitable material using the lugs projecting from the side of the case. The lugs are bored 6 mm on 102 mm centres. The minimum recommended length of fixing screws is 25 mm. To maintain the integrity of the weather seal, the cable entry must be fitted using a suitable sealed gland.
Connection	V DC variants separate input and output 2,5mm <sup>2</sup> terminals V AC variants 2,5mm <sup>2</sup> terminals

# Industrial Audible Signal 100 dB (A) Series YA30



## Dimensional Drawings (All Dimensions in mm [inches]) - Subject to Alterations



We reserve the right to make alterations to the technical data, dimensions, weights, designs and products available without notice. The illustrations cannot be considered binding.