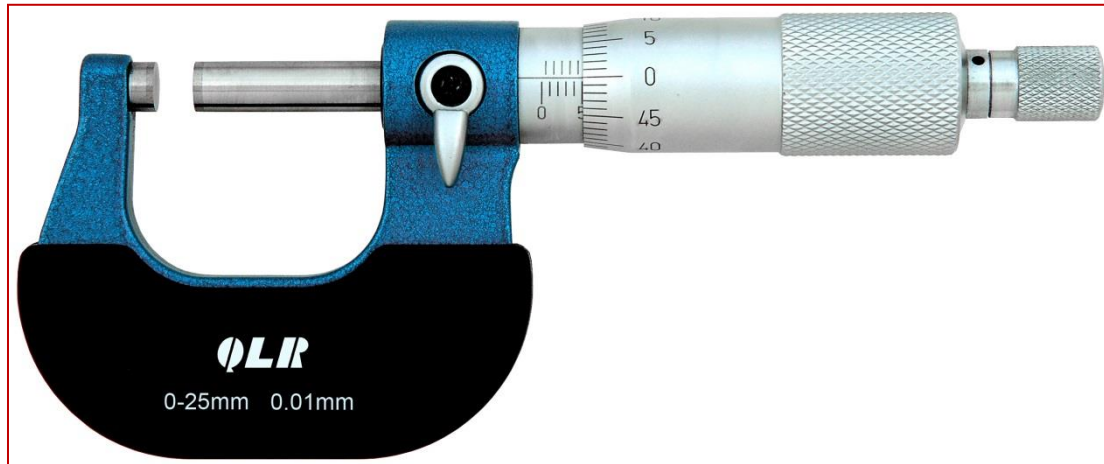


## Datasheet

# Spindle Lock Micrometer 0-25mm

RS Stock number [725-5724](#)



## Description

Micrometer graduated with an accuracy of 0.001in./0.01mm

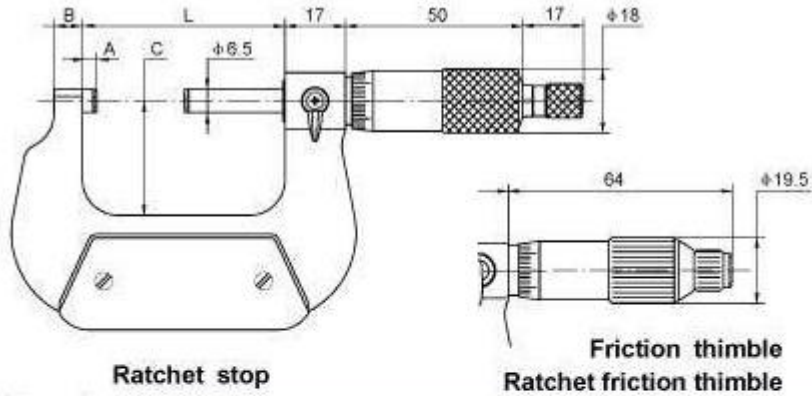
Positive spindle lock fitted

Supplied with a wooden storage box and an adjustment spanner

Features carbide measuring faces and a painted frame

## Specifications

- |                       |           |
|-----------------------|-----------|
| • Accuracy            | ±0.004 mm |
| • Imperial or Metric  | Metric    |
| • Maximum Measurement | 25mm      |
| • Micrometer Type     | External  |
| • Minimum Measurement | 0mm       |
| • Resolution          | 0.01mm    |



**Dimensions**

Range		A	B	C	L
Metric	Inch				
0-25mm	0-1"	3.0mm	6mm	24mm	32mm
25-50mm	1-2"	3.0mm	8mm	32mm	57mm
50-75mm	2-3"	3.0mm	8mm	45mm	82mm
75-100mm	3-4"	3.0mm	8mm	57mm	107mm
100-125mm	4-5"	3.0mm	8mm	70mm	133mm
125-150mm	5-6"	3.0mm	8mm	82mm	158mm
150-175mm	6-7"	5.5mm	8mm	95mm	183mm
175-200mm	7-8"	5.5mm	8mm	107mm	209mm