

Customer Information Sheet

DRAWING No.: M20-789XXXX

SHEET 2 OF 2

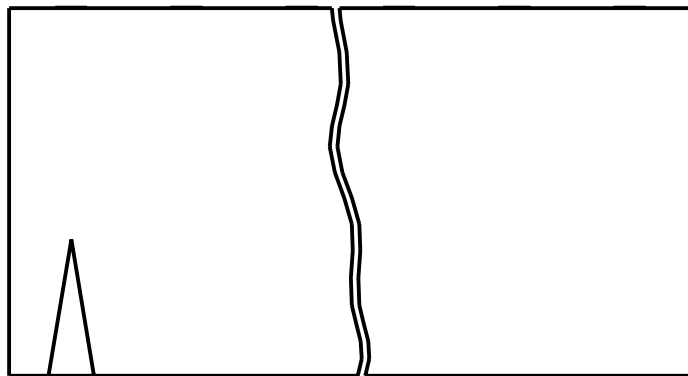
IF IN DOUBT - ASK

(C)

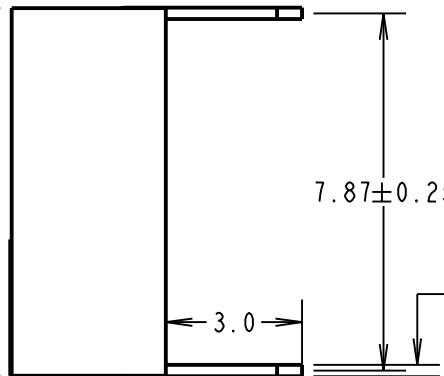
NOT TO SCALE

THIRD ANGLE PROJECTION

ALL DIMENSIONS IN mm



8.10 ± 0.15



7.87 ± 0.25

0.25 ± 0.03

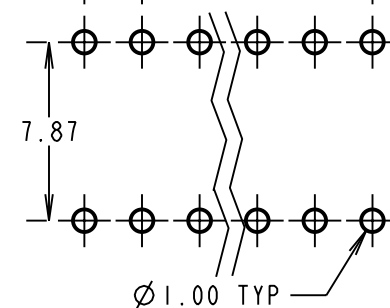
3.0

ORDER CODE:
M20-789XXXX
No. OF WAYS ———
02 TO 40
FINISH: ———
42 - SELECTIVE GOLD + 100% TIN
46 - 100% TIN

RECOMMENDED PAD LAYOUT

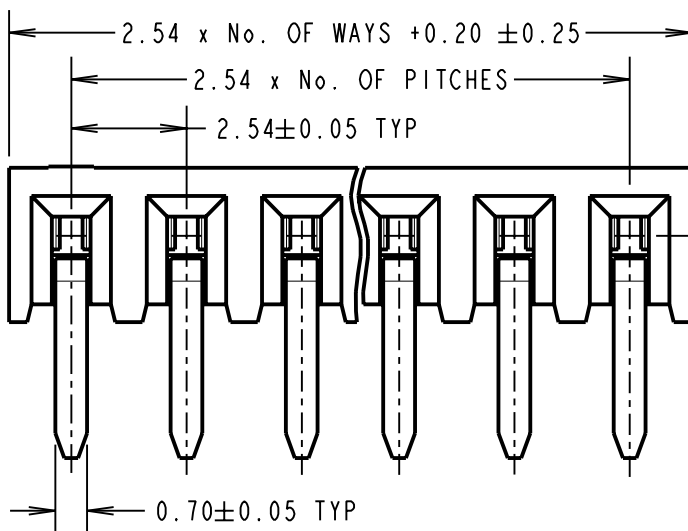
2.54 x No. OF PITCHES

2.54 TYP



7.87

Ø 1.00 TYP



2.54 x No. OF WAYS + 0.20 ± 0.25

2.54 x No. OF PITCHES

2.54 ± 0.05 TYP

3.40 ± 0.15

1.90

0.70 ± 0.05 TYP

SPECIFICATION:

MATERIAL:

MOULDING = NYLON 6T UL94V-0, BLACK

CONTACTS = PHOSPHOR BRONZE

FINISH (OVER NICKEL):

42 = GOLD ON CONTACT AREA,
100% TIN ON TAILS

46 = 100% TIN

ELECTRICAL:

CURRENT RATING = 3A

VOLTAGE PROOF = 500V AC/DC

CONTACT RESISTANCE = 20 MILLOHMS MAX

INSULATION RESISTANCE = 5,000 MEGOHMS MIN.

ENVIRONMENTAL:

TEMPERATURE RANGE = -40° TO +105°

MECHANICAL:

INSERTION FORCE = 5N MAX.

WITHDRAWAL FORCE = 0.2N MIN.

DURABILITY = 50 OPERATIONS

PACKING:

TUBE

FOR COMPLETE SPECIFICATION SEE COMPONENT SPECIFICATION C001XX (LATEST ISSUE)

RA	6	25.08.09	10445
NAME	ISS.	DATE	C/NOTE
APPROVED:		R.ADDE	
CHECKED:		M.G.PLESTED	
DRAWN:		J. EVANS	
CUSTOMER REF.:			
ASSEMBLY DRG:			

HARWIN

THIS DRAWING AND ANY INFORMATION OR DESCRIPTIVE MATTER SET OUT HEREON ARE CONFIDENTIAL AND COPYRIGHT PROPERTY OF THE HARWIN GROUP AND MUST NOT BE DISCLOSED, LOANED, COPIED OR USED FOR MANUFACTURING, TENDERING OR FOR ANY OTHER PURPOSE WITHOUT THEIR WRITTEN PERMISSION.

TOLERANCES

X. = ±1mm
X.X = ±0.25mm
X.XX = ±0.10mm
X.XXX = ±0.01mm

ANGLES = ±5°

UNLESS STATED

MATERIAL:

SEE ABOVE

FINISH: SEE ABOVE

S/AREA: mm²

TITLE:

2.54mm PITCH SIL PC TAIL HORIZONTAL SOCKET ASSEMBLY

DRAWING NUMBER:

M20-789XXXX

SHT 2 OF 2

HARWIN USA TEL: 603 893 5376 FAX: 603 893 5396 mis@harwin.com	HARWIN Europe (UK) TEL: 023 9231 4545 FAX: 023 9231 4590 mis@harwin.co.uk	HARWIN Asia TEL: +65 6 779 4909 FAX: +65 6 779 3868 mis@harwin.com.sg
---	---	---