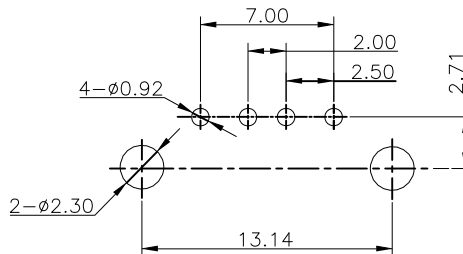
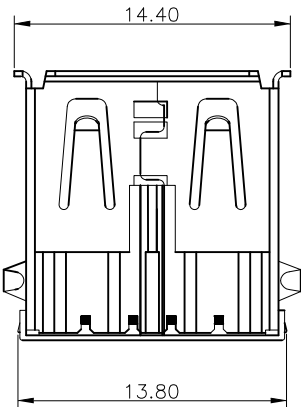
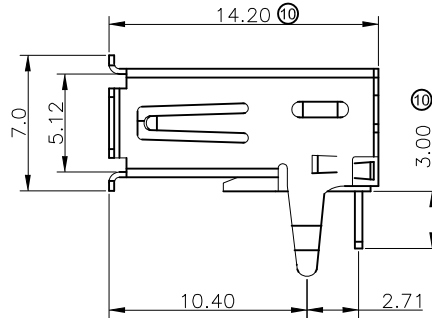
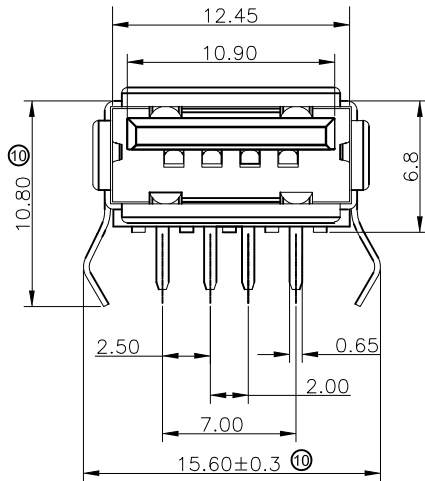


⑩⑨ USB 2.0 COMPLIANT



RECOMMENDED P.C.B LAYOUT
(TOLERANCE:±0.05)

NOTES:

- 1.Material:
 - 1.1 Housing: PBT+30%GF UL94V-0, Color Black
 - 1.2 Shell: Brass
 - 1.3 Contact :Phosphor Bronze
2. FINISH:
 - 2.1 Contact Area: Gold Flash
 - Solder Area: Tin Plated
 - Under: Ni Plated
- 3.MECHANICAL:
 - 3.1 Mating Force:3.57kgf Max.
 - 3.2 Unmating Force:1.02kgf Min
 - 3.3 Durability:1500 cycles Min
- 4.ELECTRICAL:
 - 4.1 Current Rating:1.5A
 - 4.2 Dielectric Strength:500V AC FOR 1 MINUTE
 - 4.3 Contact Resistance:30mΩ Max
 - 4.4 Insulation Resistance:1000 MΩ Min
- 5.Operating temperature: -55°C TO +85°C
- 6.PACKIING: Tray

RoHS compliant

Unit: mm

Scale	Free	⑩	Update to "USB 2.0 COMPLIANT"	19.08.2013	Amy		Date	Name	Customer-No.
TOLERANCE		⑩	Update	07.06.2013	Winnie	Drawn	16.05.2007	Hellwig	ASSMANN WSW-No. A-USBSA
X.X	±0.30	⑨	Add "USB 2.0"	18.02.2013	Amy	Approved	19.08.2013	Amy	
X.XX	±0.20	⑧	Plant change and tiny appearance diff.	02.05.2011	Lucas				
X.XXX	±0.10	⑦	Plant change and tiny appearance diff.	02.05.2011	Lucas				
DIM	TOL	⑦	Add the mating drawing	25.06.2011	Rale		Drawing-No.		ASS 1122C CO rev11
ANG.	±1°	⑥	Compled numbering	07.06.2011	N.Schulz		Replace		
Angle	TOL	Id.	Modification	Date	Name				