

2081888-1 ✓ ACTIVE

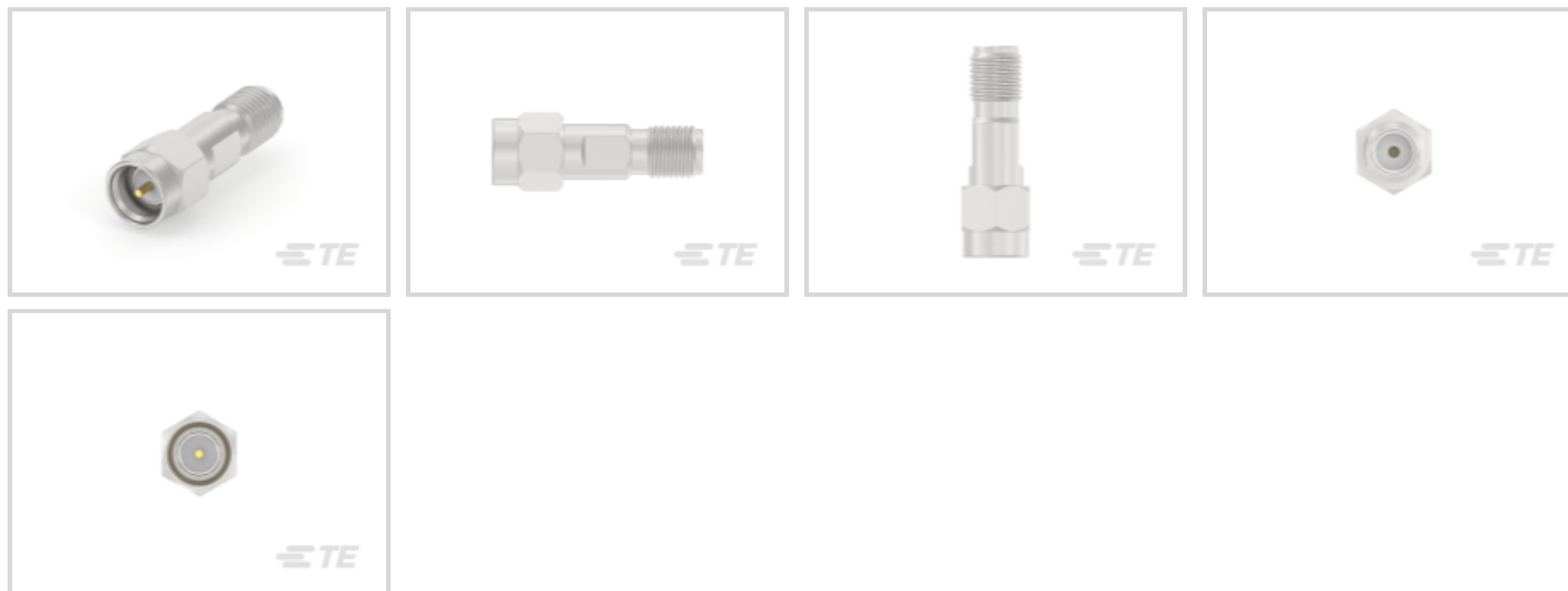
TE Internal #: 2081888-1

In-Series Adapters, SMA, Straight, Beryllium Copper, Gold (Au), 50 Ω, Cable-to-Cable, 1 Position, Signal, Operating Temperature Range -55 – 155 °C

[View on TE.com >](#)



Connectors > RF Coax Connectors > RF Adapters > In-Series Adapters



RF Connector Type: **SMA**

Body Angle: **Straight**

RF Connector Center Contact Material: **Beryllium Copper**

RF Connector Center Contact Plating Material: **Gold (Au)**

Impedance: **50 Ω**

Features

Product Type Features

RF Connector Type	SMA
Connector System	Cable-to-Cable
Sealable	No

Configuration Features

Number of Positions	1
---------------------	---

Electrical Characteristics

Impedance	50 Ω
-----------	------

Body Features

Body Angle	Straight
------------	----------

Contact Features

RF Connector Center Contact Material	Beryllium Copper
RF Connector Center Contact Plating Material	Gold (Au)

Usage Conditions

Operating Temperature Range	-55 – 155 °C
-----------------------------	--------------



Operation/Application

Circuit Application	Signal
---------------------	--------

Product Compliance

[For compliance documentation, visit the product page on TE.com>](#)

EU RoHS Directive 2011/65/EU	Compliant with Exemptions
EU ELV Directive 2000/53/EC	Not Yet Reviewed
China RoHS 2 Directive MIIT Order No 32, 2016	Restricted Materials Above Threshold
EU REACH Regulation (EC) No. 1907/2006	Current ECHA Candidate List: JAN 2021 (211) Candidate List Declared Against: JAN 2021 (211) SVHC > Threshold: Pb (.35% in Component Part) Article Safe Usage Statements: Do not eat, drink or smoke when using this product. Wash thoroughly after handling. Recycle if possible and dispose of the article by following all applicable governmental regulations relevant to your geographic location.
Halogen Content	Not Low Halogen - contains Br or Cl > 900 ppm.
Solder Process Capability	Not reviewed for solder process capability

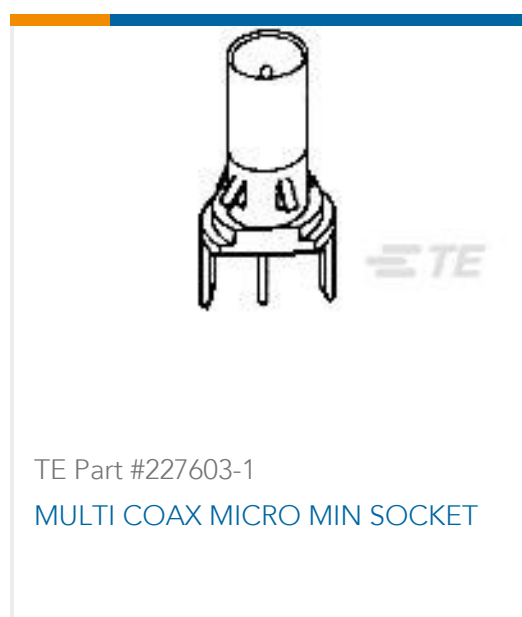
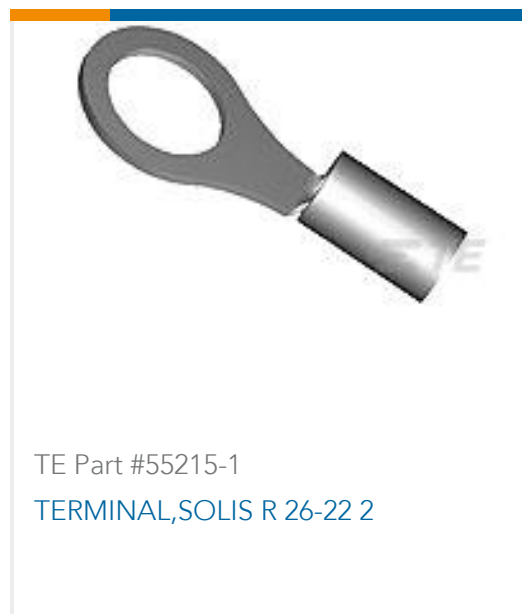
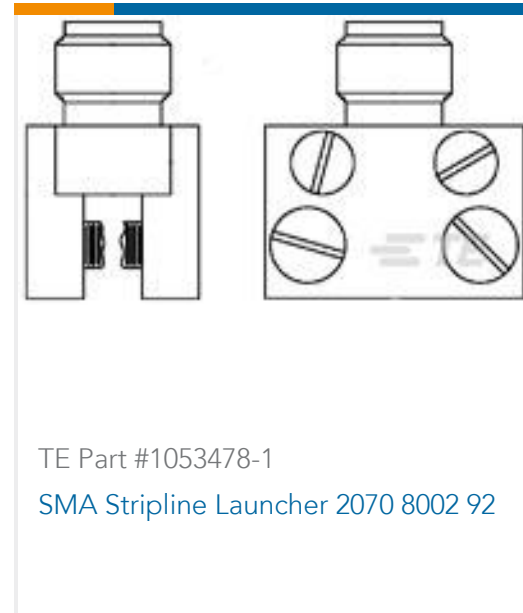
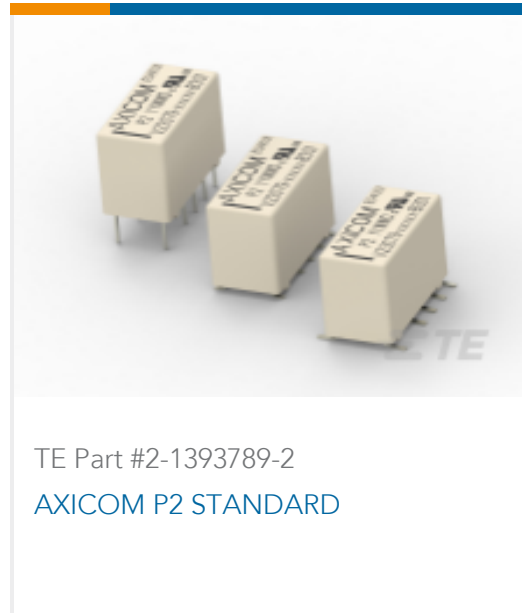
Product Compliance Disclaimer

This information is provided based on reasonable inquiry of our suppliers and represents our current actual knowledge based on the information they provided. This information is subject to change. The part numbers that TE has identified as EU RoHS compliant have a maximum concentration of 0.1% by weight in homogenous materials for lead, hexavalent chromium, mercury, PBB, PBDE, DBP, BBP, DEHP, DIBP, and 0.01% for cadmium, or qualify for an exemption to these limits as defined in the Annexes of Directive 2011/65/EU (RoHS2). Finished electrical and electronic equipment products will be CE marked as required by Directive 2011/65/EU. Components may not be CE marked. Additionally, the part numbers that TE has identified as EU ELV compliant have a maximum concentration of 0.1% by weight in homogenous materials for lead, hexavalent chromium, and mercury, and 0.01% for cadmium, or qualify for an exemption to these limits as defined in the Annexes of Directive 2000/53/EC (ELV). Regarding the REACH Regulation, the information TE provides on SVHC in articles for this part number is based on the latest European Chemicals Agency (ECHA) 'Guidance on requirements for substances in articles' posted at this URL: <https://echa.europa.eu/guidance-documents/guidance-on-reach>

Compatible Parts



Customers Also Bought



Documents

Product Drawings

EP-SMA,ADAPTER,STRAIGHT,27GHZ,F TO M

English

CAD Files

3D PDF

3D

Customer View Model

[ENG_CVM_CVM_2081888-1_1.2d_dxf.zip](#)

English

Customer View Model

[ENG_CVM_CVM_2081888-1_1.3d_igs.zip](#)

English

Customer View Model

[ENG_CVM_CVM_2081888-1_1.3d_stp.zip](#)

English

By downloading the CAD file I accept and agree to the [Terms and Conditions](#) of use.



Product Specifications

Product Specification

English