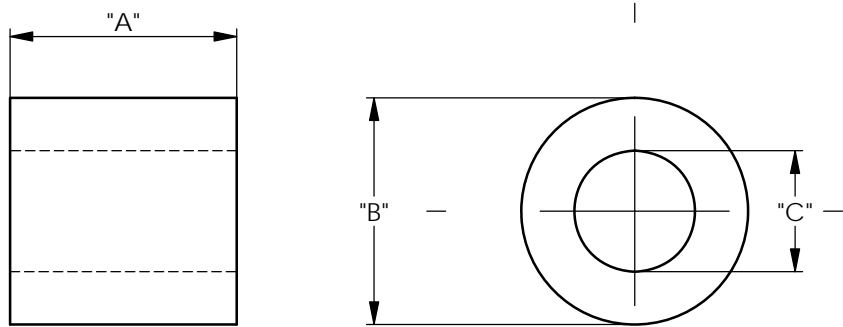


REV.	MODIFICATION.	DATE	DRN
01	Production Release	10/04/11	SF



PART NUMBER	"A"	"B"	"C"
311320140050	1	6	3.2
311320240050	2		
311320340050	3		
311320440050	4		
311320540050	5		
311320640050	6		
311320740050	7		
311320840050	8		
311320940050	9		
311321040050	10		
311321240050	12	8	4.3
311321540050	15		
311322040050	20		
311322540050	25		
311323040050	30		
311430240050	2		
311430340050	3		
311430440050	4		
311430540050	5		
311430640050	6		
311430740050	7		
311430840050	8		
311431040050	10		
311431240050	12		
311431540050	15		
311432040050	20		
311432540050	25		
311433040050	30		
311433540050	35		
311434040050	40		

INFORMATION CONTAINED IN THIS DOCUMENT IS CONFIDENTIAL TO RICHCO INTERNATIONAL Co. Ltd. AND MAY NOT BE DISCLOSED OR REPRODUCED IN WHOLE OR PART WITHOUT THEIR WRITTEN CONSENT.

RICHCO, INC.
WWW.RICHCO-INC.COM

ALL DIMENSIONS IN mm
GENERAL TOLERANCES ± 0.25
UNLESS OTHERWISE STATED
1 DECIMAL PLACE ± 0.25
2 DECIMAL PLACES ± 0.10
ANGULAR $\pm 1^\circ$

THIRD ANGLE

MATERIAL: BRASS: RMS-260, NICKEL: RMS-234
COLOUR: BRASS

DESCRIPTION: ROUND BRASS SPACER
PART No: SEE TABLE

DRG No: 012-045
PROJECT NUMBER: EU12-0037
SHEET SIZE A4

DRN SF
DATE 10/04/12
CHKD TC
DATE 10/04/12
SCALE NTS
SHEET No. 1 OF 1