

Low Profile or Prominent

Key Characteristics

Functional

- 10mm mounting
- 80° or 100° viewing angle

Resilient

- IP66 sealed
- -40°C to +85°C operating and storage temp
- Corrosion resistant finish

Adaptable

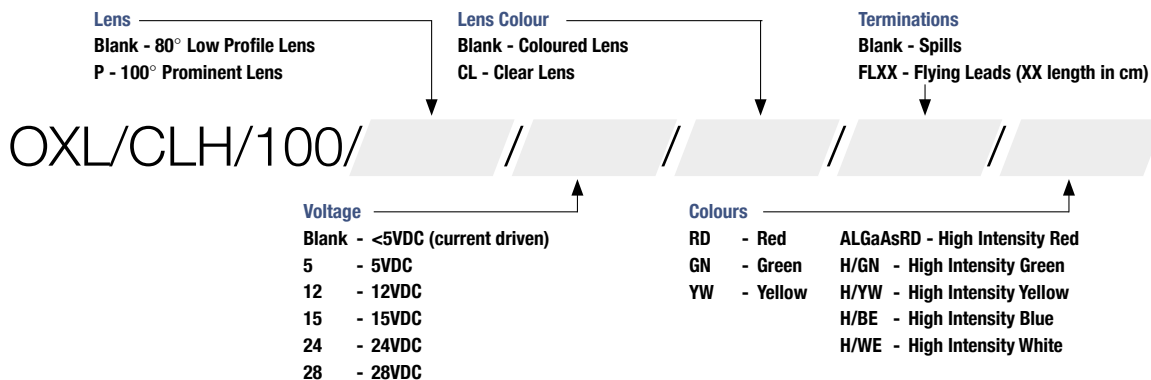
- Full colour range with lens options
- Voltage and current options
- Customer specials on request



Specifications

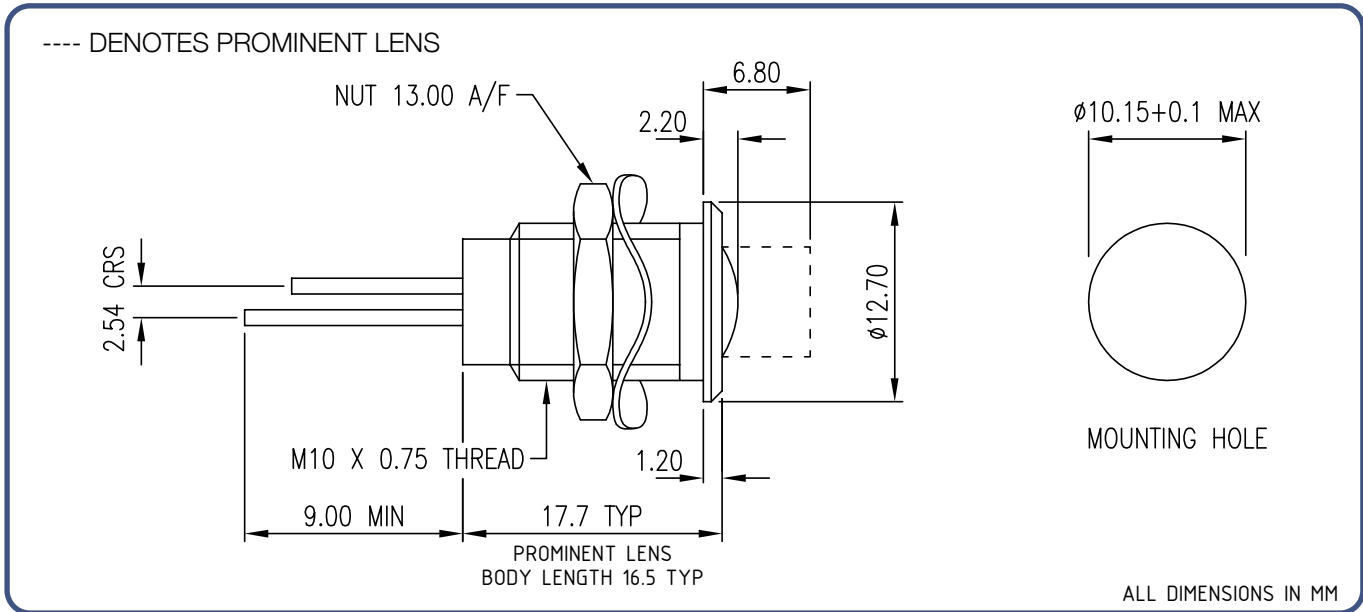
COLOURS									
Luminous Intensity mcd	White	Red	Yellow	Green	Blue	Voltage		Current (mA)	
						Forward	Reverse		
Std	50	X	✓	X	X	X	1.9	5	20
	50	X	X	✓	X	X	2.1	5	20
	50	X	X	X	✓	X	2.2	5	20
	40	X	✓	✓	✓	X	5,12,15,24,28	5,12,15,24,28	15
High Intensity	200	X	✓	X	X	X	1.9	5	20
	2500	X	X	✓	X	X	2.1	5	20
	5000	✓	X	X	✓	X	3.3	5	20
	1000	X	X	X	X	✓	3.3	5	20
	150	X	✓	X	X	X	5,12,15,24,28	5,12,15,24,28	15
	2000	X	X	✓	X	X	5,12,15,24,28	5,12,15,24,28	15
	4000	✓	X	X	✓	X	5,12,15,24,28	5,12,15,24,28	15
	750	X	X	X	X	✓	5,12,15,24,28	5,12,15,24,28	15

Ordering Information



Example: OXL/CLH/100/RD - Black Nickel Finish, Low Profile Lens, 1.9VDC, Coloured Lens, Spills, Red

Example: OXL/CLH/100/P/5/CL/FL30/GN - Black Nickel Finish, Prominent Lens, 5VDC, Clear Lens, Flying Leads of 30cm, Green



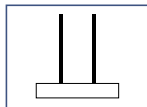
Technical Information

Terminations	Flying Leads Copper wire PVC Insulation/Spills, Iron Alloy Silver Plated
Body	Aluminium Alloy, Black Nickel Finish
Lens	Coloured Polycarbonate, Optional Clear Lens
Nut	Aluminium Alloy
Washer	BeCu. Tin Plated
Chassis Thickness	1.5mm min
Mounting Hole	10.15mm ± 0.1mm
Recommended Mounting Torque	1Nm
Mean Time Before Failure	90,000 Hours

Termination Options



Flying Leads



Spills

Lens Options



Low Profile



Prominent

