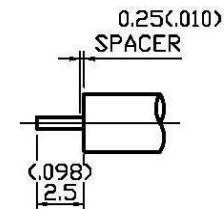
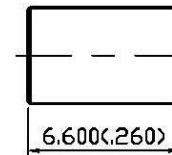
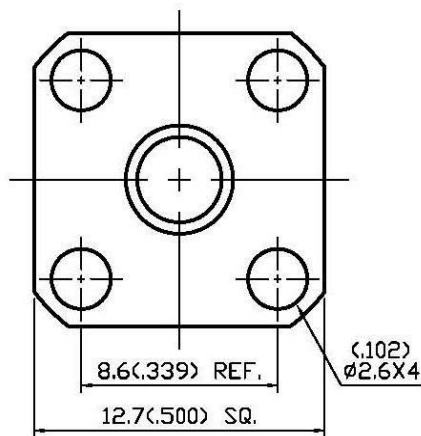
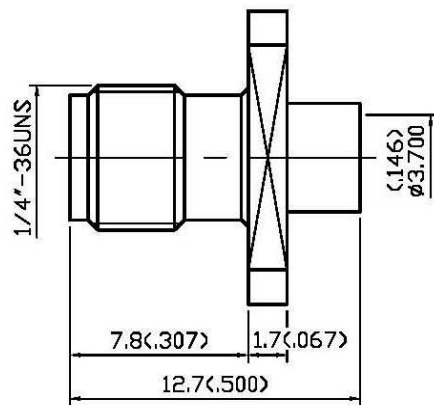


NO	DESCRIPTION	DATE
①	BACKGROUND FORMAT UPDATED	05.07.02'
②	ADD STRIPPING DIMENSION	02.23.04'
③	BACKGROUND FORMAT UPDATED	08.29.11'
④	DEL. PROOF VOLTAGE WORKING VOLTAGE → VOLTAGE RATING	08.06.14'



△ STRIPPING DIMENSION

1.0 ELECTRICAL

- 1.1 FREQUENCY RANGE: DC-18 GHz
- 1.2 NOMINAL IMPEDANCE: 50 OHM
- 1.3 VOLTAGE RATING: 500 VOLTS MAX. △
- 1.4 VSWR: 1.2 MAX.

2.0 MATERIALS

- 2.1 BODIES: BRASS PER JIS-C3604
- 2.2 CENTER CONTACT: BERYLLIUM COPPER PER ASTM B196 UNS C17300
- 2.3 INSULATION: TEFLON PER ASTM D1457 AND ASTM D1710

3.0 FINISHES AND OTHERS

- 3.1 SEE BELOW TABLE FOR DETAILS.

4.0 MECHANICAL

- 4.1 INTERFACE IN ACCORDANCE WITH: MIL-STD-348A
- 4.2 FOR USE WITH RG402 OR SIMILAR STYLE CABLE
- 4.3 CABLE ATTACHMENT: OUTER: SOLDER, INNER: SOLDER

5.0 ENVIRONMENTAL

- 5.1 OPERATING TEMPERATURE RANGE: -65° C TO +165° C

NO	DESCRIPTION	MATERIAL	Q'TY	FINISH
3	CENTER CONTACT	BERYLLIUM COPPER	1	GOLD 50 μ" MIN.
2	INSULATION	TEFLON	1	NONE
1	BODY	BRASS	1	GOLD 3 μ" MIN.



APPROVED

by _____ DATE: _____

DESCRIPTION		SMA SQUARE FLANGE JACK SOLDER						
製圖	DRAWN	TOLERANCE	品名	19-59-1 T.G.G RG402	日期	DATE	版次	REV.
	<i>Kristina</i>							
檢圖	CHECK	單位	單位	DWG.NO.	19-0007			
	<i>Arc</i>					mm(in)		
認定	APPROVAL	ANGLE	比例					
	<i>Angela</i>			±5°	4:1			