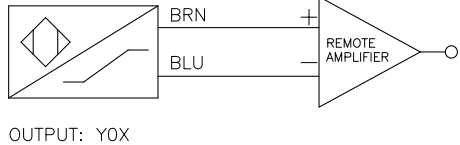
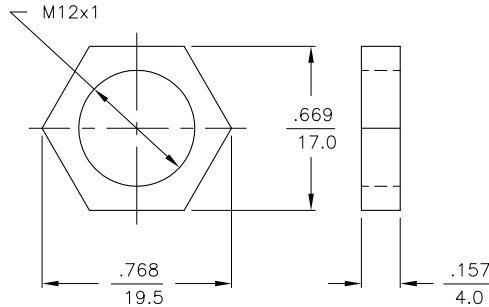


WIRING DIAGRAM

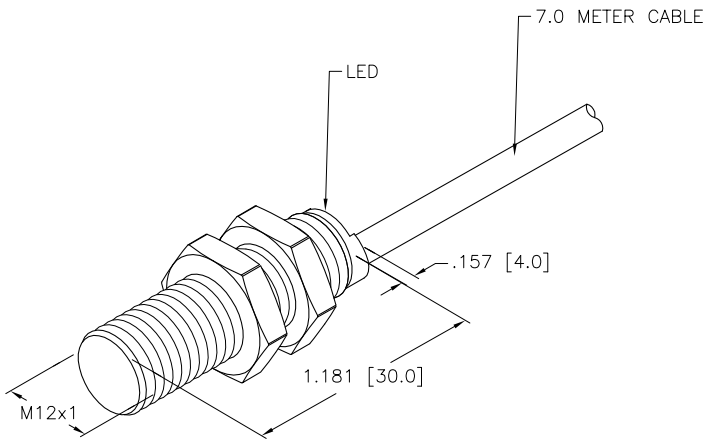


LOCKNUT LN-M12



SPECIFICATIONS

| | |
|---|---|
| RATED OPERATING DISTANCE | 2mm [.079"] |
| MOUNTING MODE | FLUSH |
| MIN. REPEAT ACCURACY | ≤ 2% |
| TEMPERATURE DRIFT | ≤ ±10% |
| HYSTERESIS | 1-10% |
| AMBIENT TEMPERATURE | -25°C to +70°C (-13°F to +158°F) |
| OUTPUT FUNCTION | 2-WIRE, NAMUR |
| MAX. SWITCHING FREQUENCY | ≤ 3.0 kHz |
| VOLTAGE | NOM. 8.2 VDC |
| NON-ACTUATED CURRENT CONSUMPTION | ≥ 2.1 mA |
| ACTUATED CURRENT CONSUMPTION | ≤ 1.2 mA |
| APPROVAL ACCORDING TO: | KEMA 02 ATEX 1090X |
| INTERNAL INDUCTIVITY (L _i)/CAPACITIVITY (C _i) | 150 nF/150 μH Values for Pre-assembled Cables up to 30 Meters |
| MARKING OF DEVICE | II 2 G EEx ia IIC T6 (max. U _i = 20 V, I _i = 60 mA, P _i = 200 mW) |
| HOUSING MATERIAL | BRASS, CHROME-PLATED |
| ACTIVE FACE MATERIAL | PLASTIC, PA12-GF30 |
| END CAP MATERIAL | PLASTIC, TROGAMID T |
| CABLE | ø5.2, PVC |
| VIBRATION RESISTANCE | 55 Hz (IN ALL 3 PLANES) |
| SHOCK RESISTANCE | 30 g, 11 ms |
| DEGREE OF PROTECTION | IP 67 |
| SWITCHING STATUS INDICATION | LED: YELLOW |



SOURCE DRAWING - FOR REFERENCE ONLY

| | | | | | | | | | |
|----------------------|-------------|---|------|--|------|---|----------|---|--|
| RELATED DOCUMENTS | | 3RD ANGLE PROJECTION | | THIS DRAWING IS CONFIDENTIAL AND THE PROPERTY OF TURCK INC. USE OF THIS DOCUMENT WITHOUT WRITTEN PERMISSION IS PROHIBITED. | | High Technology Sensors and Automation Controls | | 3000 CAMPUS DRIVE MINNEAPOLIS, MN 55441 1-800-544-7769 (763) 553-7300 (763) 553-0708 fax turck.com | |
| 1. 2. 3. 4. | | | | DRFT | RDS | DATE | 01/27/12 | DESCRIPTION | |
| MATERIAL | | ALL DIMENSIONS DISPLAYED ON THIS DRAWING ARE FOR REFERENCE ONLY | | APVD | J.M. | SCALE | 1=1.0 | BI 2-G12-YOX 7M | |
| SEE SPECIFICATIONS | | CONTACT TURCK FOR MORE INFORMATION | | UNIT OF MEASUREMENT | | IDENTIFICATION NO. | | REV | |
| FINISH | | SEE SPECIFICATIONS | | INCH [MILLIMETER] | | T4010097 | | A | |
| A | | DRAWING RELEASE | | DO NOT SCALE THIS DRAWING | | FILE: T4010097 | | SHEET 1 OF 1 | |
| REV | DESCRIPTION | BY | DATE | ECO NO. | | | | | |

| | | | | |
|-----|-----------------|-----|----------|---------|
| A | DRAWING RELEASE | RDS | 01/27/12 | |
| REV | DESCRIPTION | BY | DATE | ECO NO. |