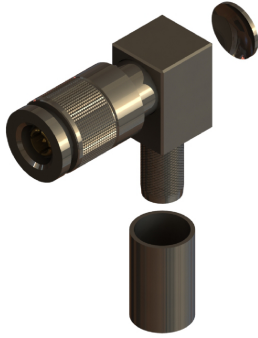
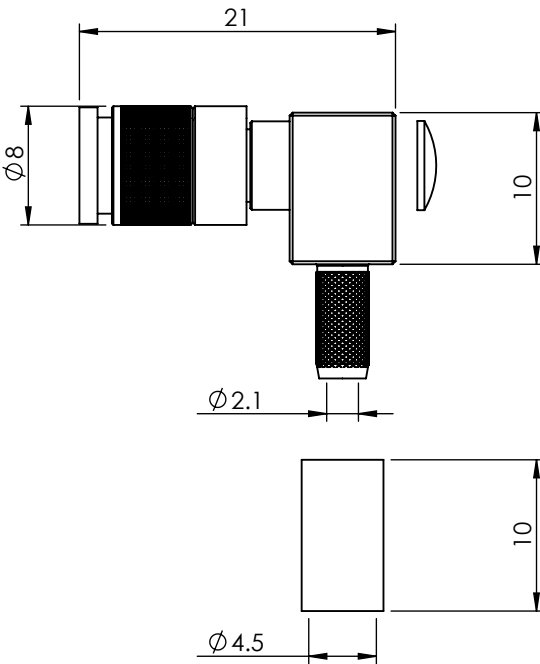


BT54 RIGHT ANGLE SOLDER/CRIMP PLUG 5A 105-651-TNG-BD



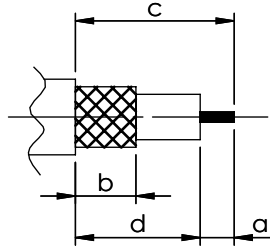
images for illustration purposes only



Suitable for Cables:

(BD) BT3002, TZC75024, TZC75025

Stripping Dimensions



a = 3.0 mm
b = 8.0 mm
c = 15.0 mm
d = 12.0 mm

* CUT FOIL TO DIM. "b"

Assembly Procedure: AP017

Tooling

Centre Contact: Solder

Tool No: Solder

Crimp Sleeve: Hex 4.52mm A/F

Tool No: HTS-43

Alignment Tool: Not Applicable

Extraction: Not Applicable

Environmental Specification

Operating Temp: -55 to +155 Deg C.

IP Rating (Mated): NONE

Electrical Specification

Impedance: 75 Ohm

Frequency: 0-3 GHz

Dielectric W/V: 750 Veff

Insulation res: 200 M-Ohm

Mechanical Specification

Contact Retention: 15 N min

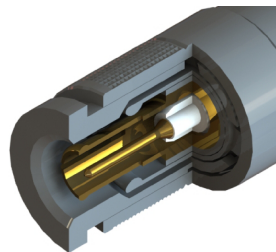
Cable Retention: 150 N min

Mating cycles: 250


Weight: 6.35 g

Connector Interface

image for illustration purposes only



7	LATCHING SLEEVE	BRASS	NICKEL
6	OUTER CONTACT	BERYLLIUM COPPER	GOLD
5	CAP	BRASS	NICKEL
4	CRIMP SLEEVE	BRASS	NICKEL
3	INSULATOR	PTFE	N/A
2	CENTRE CONTACT	BERYLLIUM COPPER	GOLD
1	BODY	BRASS	NICKEL
ITEM	DESCRIPTION	MATERIAL	PLATING

A4	SHEET 1 OF 1	 DIMENSIONS ARE IN MILLIMETRES		
REVISION :	B04	NAME	SIGNATURE	DATE
ISSUE :	2	DRAWN	GE	05/01/2007
		CHK'D	IG	08/03/2007
		APPV'D		
6-8 COLNE ROAD, TWICKENHAM, MIDDLESEX. TW1 4JR				
THE INFORMATION IS GIVEN AS AN INDICATION ONLY AND IS SUBJECT TO CHANGE WITHOUT NOTICE. IN THE CONTINUAL GOAL TO IMPROVE OUR PRODUCTS, WE RESERVE THE RIGHT TO MAKE ANY MODIFICATIONS NECESSARY WITHOUT PRIOR NOTICE.				