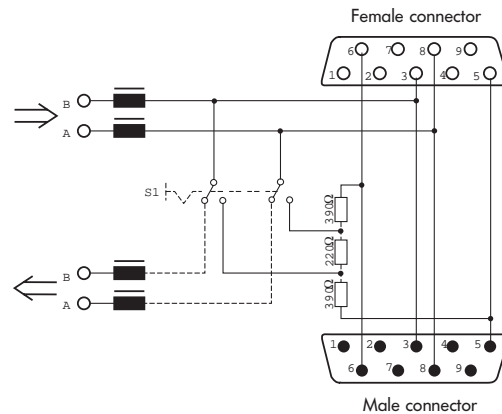
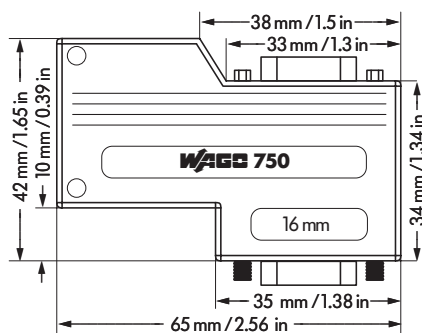
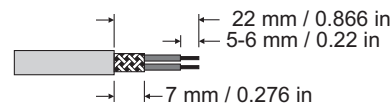
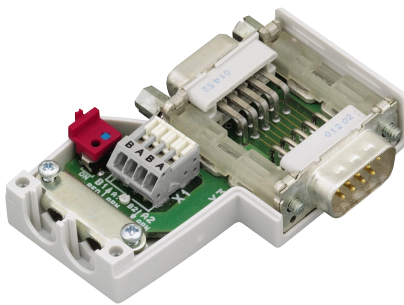


PROFIBUS Fieldbus connector



The fieldbus connector serves to connect a PROFIBUS device to a PROFIBUS line.

The fieldbus connector has the following features:

- 2 horizontal cable entries. One input and one output.
- Fast and maintenance-free CAGE CLAMP® connection, can be held in the open position with the help of an actuating slide mechanism.
- Externally operable switch to activate and/or deactivate the network terminating resistor.
- PG interface

For the first and last station on the bus, the switch must be set to "ON" (terminating resistor activated). Switch setting to "OFF" for the intermediate stations on the bus (terminating resistor deactivated).

Description		Item-No.	Pack.-unit pcs
Bus connector with D-Sub male and female connector, 9 pole		750-970	1
Technical Data		Accessories	
Double cable input	min. Ø 4.5 mm / 0.177 in max. Ø 8 mm / 0.315 in	Terminal block tool	Screwdriver blade (2.5 x 0.4) mm Item-No.: 210-619
Data transmission rate	corresponding to PROFIBUS specification up to 12 Mbit/s	Connector fitting tool	Screwdriver blade (3.5 x 0.5) mm Item-No.: 210-620
Fixing screw	UNC-2A 4-40	Strain relief fitting tool	Phillips screwdriver (PH 0)
Max. tightening torque	0.4 Nm	Test pin (1 mm)	Item-No.: 735-500
Housing color	light grey		
Degree of protection	IP20		
Ambient operating temperature	0 °C ... +60 °C		
Storage temperature	-25 °C ... +85 °C		
Rel. air humidity	max. 95 % , no condensation		
Wire connection	CAGE CLAMP® terminal rail with actuation slide (series 218) 0.08 mm² ... 0.5 mm² / AWG 28 ... 20 sep. connection 0.75 mm² / AWG 18 possible		
Stripped length	see graphic		