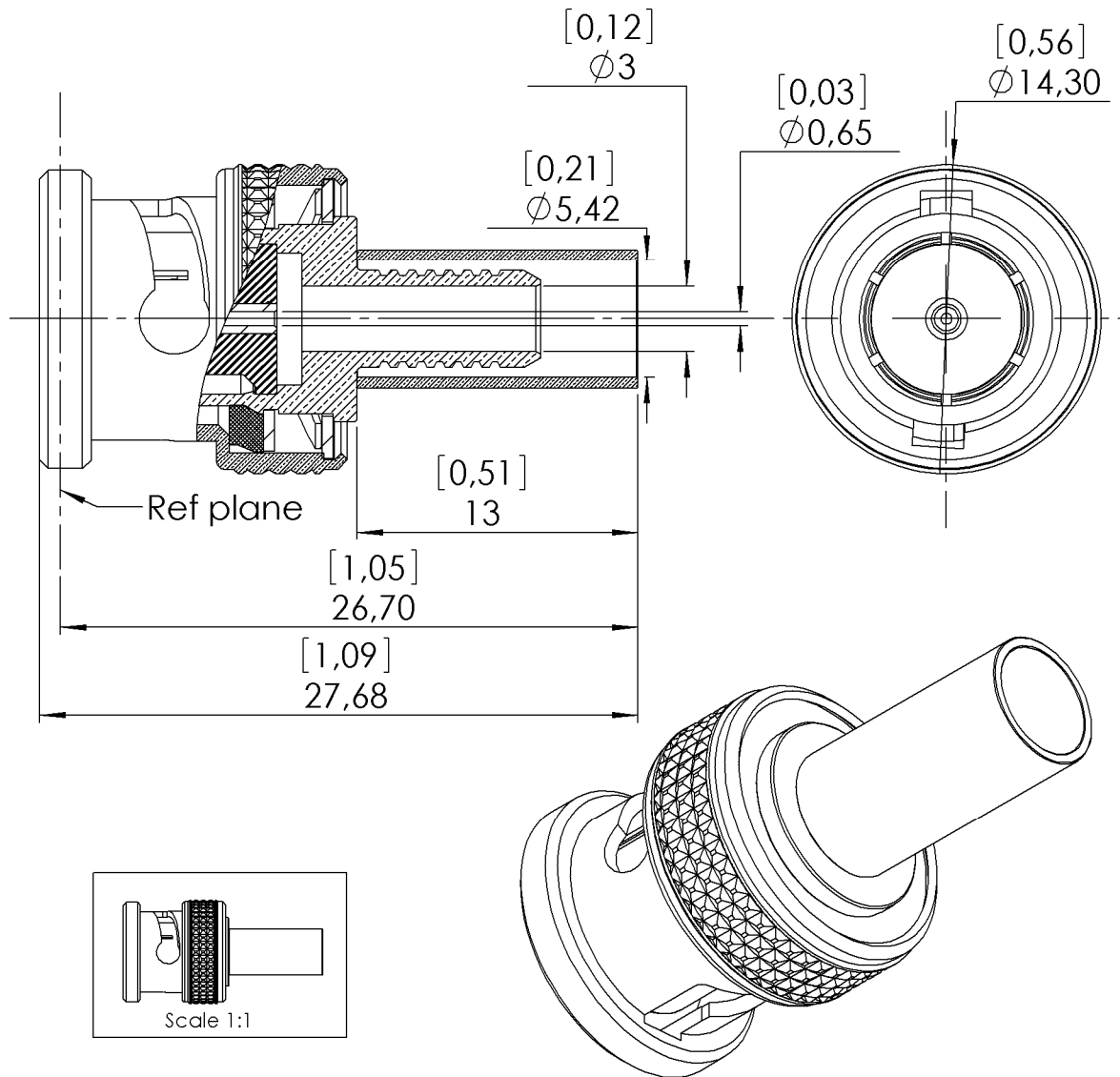


STRAIGHT PLUG FULL CRIMP TYPE

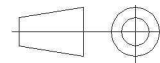
R142.077.712

CABLE 0.6/2.95 COND.100

Series : **BNC 75 HDTV**



All dimensions are in mm.



| COMPONENTS | MATERIALS | PLATING (µm) |
|----------------|-----------------|--------------|
| BODY | BRASS | NPGR |
| CENTER CONTACT | BRASS | NPGR |
| OUTER CONTACT | BRASS | NPGR |
| INSULATOR | PTFE | |
| GASKET | SILICONE RUBBER | |
| OTHERS PARTS | BRASS | BBR |
| - | - | - |
| - | - | - |

Issue : 1001 C

In the effort to improve our products, we reserve the right to make changes judged to be necessary.



STRAIGHT PLUG FULL CRIMP TYPE

R142.077.712

CABLE 0.6/2.95 COND.100

Series : **BNC 75 HDTV**

PACKAGING

| Standard | Unit | Other |
|------------|-------------------|-------------------|
| 100 | 'W' option | Contact us |

SPECIFICATION

ELECTRICAL CHARACTERISTICS

| | | |
|---------------------------------|---------------|-----------------------------|
| Impedance | | 75 Ω |
| Frequency | | DC-6 GHz |
| VSWR | 1.05 + | 0,0350 x F(GHz) Maxi |
| Insertion loss | | 0.1 √F(GHz) dB Maxi |
| RF leakage | - (| AD - F(GHz)) dB Maxi |
| Voltage rating | | 500 Veff Maxi |
| Dielectric withstanding voltage | | 1500 Veff mini |
| Insulation resistance | | 5000 MΩ mini |

CABLE ASSEMBLY

| Stripping | a | b | c | d | e | f |
|-----------|------|------|------|------|------|------|
| mm | 3,50 | 10,8 | 18,0 | 0,00 | 0,00 | 0,00 |

Assembly instruction : **Crimp 02**

Recommended cable(s)
ARGOSY IMAGE 360

Characteristics indicated on this data sheet are those that can be achieved with the highest performance cable. Intrinsic limitations of the cable may diminish the performance of the assembly

Cable retention

- pull off **110** N mini
- torque **NA** N.cm

MECHANICAL CHARACTERISTICS

| | | |
|----------------------------|-----------|-----------|
| Center contact retention | | |
| Axial force – Mating end | 10 | N mini |
| Axial force – Opposite end | 10 | N mini |
| Torque | NA | N.cm mini |

TOOLING

| Part Number | Description | Hexagon |
|--------------|------------------------------|--------------------|
| . | . | . |
| R282.235.011 | CRIMPING DIES M22520/5-11 | 5.41_square 1.1 |
| R282.233.000 | CRIMPING TOOL | 5.41 |

| | | |
|--------------------|---------------|------|
| Recommended torque | | |
| Mating | | N.cm |
| Panel nut | | N.cm |
| Clamp nut | | N.cm |
| A/F clamp nut | 0,0000 | mm |

| | | |
|-------------|---------------|-------------|
| Mating life | 1000 | Cycles mini |
| Weight | 8,7510 | g |

OTHER CHARACTERISTICS

ENVIRONMENTAL

| | | |
|-----------------------|-----------------|-----------|
| Operating temperature | -65/+165 | ° C |
| Hermetic seal | | Atm.cm3/s |
| Panel leakage | | |

Issue : **1001 C**

In the effort to improve our products, we reserve the right to make changes judged to be necessary.



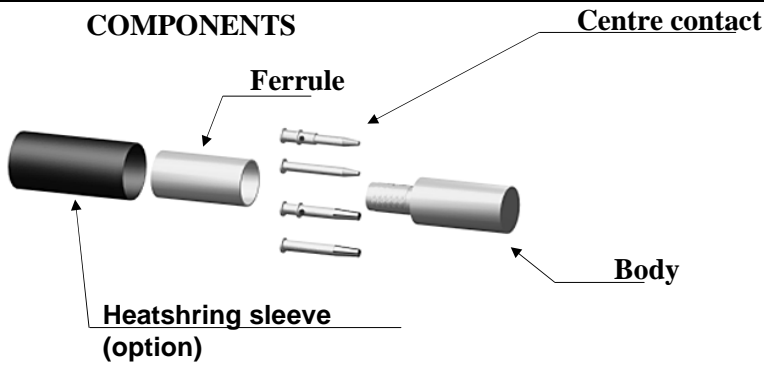
STRAIGHT PLUG FULL CRIMP TYPE

R142.077.712

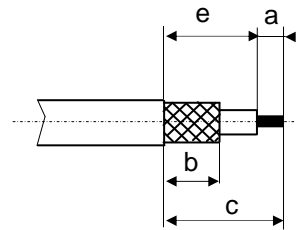
CABLE 0.6/2.95 COND.100

Series : BNC 75 HDTV

COMPONENTS

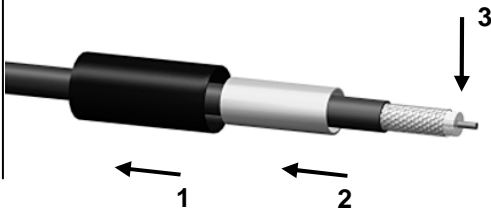


STRIPPING DIMENSIONS



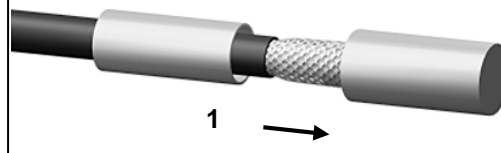
1

Slide the heatshrink sleeve onto the cable (Option).
Slide the ferrule onto the cable.
Strip the cable.



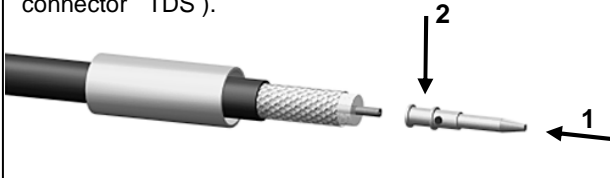
4

Slide the cable into the body until it bottoms against insulator.



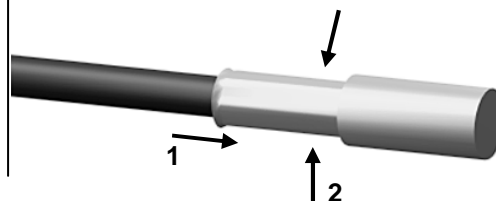
2

Slide the centre contact on until it bottoms against the cable dielectric.
Crimp the centre contact with crimping tool (see connector TDS).



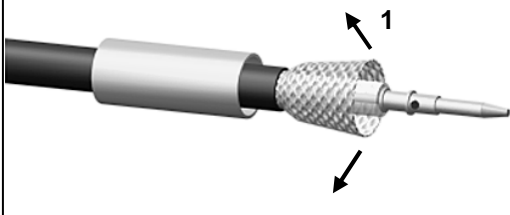
5

Slide the ferrule over the braid.
Crimp the ferrule with crimping tool (see connector TDS



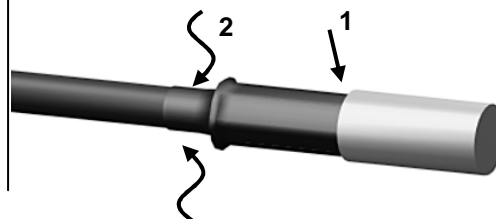
3

Fan the braid.



6

Cut the excess of braid if necessary.
Slide the sleeve over the ferrule and heatshrink it in place (Option).



Issue : 1001 C

In the effort to improve our products, we reserve the right to make changes judged to be necessary.

