

# XPSMCMROx

## Instruction Sheet (Original Language)

12/2014

---

The information provided in this documentation contains general descriptions and/or technical characteristics of the performance of the products contained herein. This documentation is not intended as a substitute for and is not to be used for determining suitability or reliability of these products for specific user applications. It is the duty of any such user or integrator to perform the appropriate and complete risk analysis, evaluation and testing of the products with respect to the relevant specific application or use thereof. Neither Schneider Electric nor any of its affiliates or subsidiaries shall be responsible or liable for misuse of the information contained herein. If you have any suggestions for improvements or amendments or have found errors in this publication, please notify us.

No part of this document may be reproduced in any form or by any means, electronic or mechanical, including photocopying, without express written permission of Schneider Electric.

All pertinent state, regional, and local safety regulations must be observed when installing and using this product. For reasons of safety and to help ensure compliance with documented system data, only the manufacturer should perform repairs to components.

When devices are used for applications with technical safety requirements, the relevant instructions must be followed.

Failure to use Schneider Electric software or approved software with our hardware products may result in injury, harm, or improper operating results.

Failure to observe this information can result in injury or equipment damage.

© 2014 Schneider Electric. All rights reserved.

---

# Table of Contents



---

About the Book .....	5
XPSMCMROx Expansion Modules .....	7





---

## At a Glance

### Document Scope

This information is about the usage and configuration of the XPSMCMRO0004• and XPSMCMRO0004DA• expansion modules for the XPSMCMCP0802• Modular Safety Controller.

### Validity Note

The characteristics that are presented in this manual should be the same as those characteristics that appear online. In line with our policy of constant improvement, we may revise content over time to improve clarity and accuracy. If you see a difference between the manual and online information, use the online information as your reference.

### Product Related Information

The XPSMCM• is built to the following safety integrity levels: SIL 3 according to EN/IEC 61508, SILcl 3 according to EN/IEC 62061, PL e category 4 according to EN ISO 13849-1 in accordance with the applicable standards. However, the definitive SIL and PL of the application depends on the number of safety components, their parameters, and the connections that are made, as per the risk analysis.

The module must be configured in accordance with the application-specific risk analysis and all the applicable standards.

Pay particular attention in conforming to any safety information, different electrical requirements, and normative standards that would apply to your adaptation.

## **WARNING**

### **UNINTENDED EQUIPMENT OPERATION**

Perform an in-depth risk analysis to determine the appropriate safety integrity level for your specific application, based on all the applicable standards.

**Failure to follow these instructions can result in death, serious injury, or equipment damage.**

**NOTE:** Configuration of the module is the sole responsibility of the installer or user.

For all matters concerning functional safety, if necessary, contact the competent safety authorities or the competent trade associations of your country.

Consult the specific product documentation and the relative product and/or application standards to ensure correct use of modules connected to the XPSMCMRO0004• or XPSMCMRO0004DA• module within your specific application.

The ambient temperature of the installed system must be compatible with the operating temperature parameters stated on the product label and in the product specifications.



---

## XPSMCMROx Expansion Modules

### Safety-related Information

**NOTE:** The safety function can be compromised if this module is not used for the intended purpose and in accordance with the instructions in this document. This module must only be used as safety equipment on machines intended to protect persons, material, and installations.

## DANGER

### HAZARD OF ELECTRIC SHOCK, EXPLOSION OR ARC FLASH

- Do not install, operate, or maintain this equipment unless you are a trained professional electrician and qualified to perform these activities.
- Install and use this equipment only in locations known to be non-hazardous.
- Do not use the equipment described herein to supply external drives or contactors.
- Use the same ground supply (0 Vdc) to supply all modules of the Modular Safety Controller family.
- Disconnect all power from all equipment including connected input devices, contactors, and drives prior to removing any covers or doors, or installing or removing any accessories, hardware, cables, or wires.
- If connected drives or contactors contain stored energy, allow sufficient time after the removal of power for the stored energy to discharge in accordance with the instructions for those drives and contactors.
- Always use a properly rated voltage sensing equipment to confirm that the power is removed.
- Avoid contacting terminals with hand or tools until the power has been confirmed removed.
- Follow all electrical safety regulations and standards (for example, lockout/tag-out, phase grounding, barriers) to reduce the possibility of contact with hazardous voltages in the work area.
- Remove locks, tags, barriers, temporary ground straps, and replace and secure all covers, doors, accessories, hardware, cables, and wires and confirm that a proper ground connection exists before reapplying power to the unit.
- Complete thorough hardware tests and system commissioning to verify that line voltages are not present on the control circuits before using your hardware operationally.
- Use only the specified voltage when operating this equipment and any associated products.

**Failure to follow these instructions will result in death or serious injury.**

## DANGER

### LOSS OF DESIGNATED SAFETY FUNCTION

- Install the XPSMCM® Modular Safety Controller in an enclosure with a protection class of at least IP 54.
- Always use an isolated power supply (PELV) to help prevent the application of line voltages to control circuitry in the case of short-circuits.

**Failure to follow these instructions will result in death or serious injury.**

## WARNING

### UNINTENDED EQUIPMENT OPERATION

- Do not use the Modular Safety Controller in locations where explosive atmospheres are suspected, or are confirmed, to exist.
- Do not use the Modular Safety Controller on mobile, moveable, or floating systems.
- Do not use the Modular Safety Controller for life support systems.
- Do not use the Modular Safety Controller in underground applications.

**Failure to follow these instructions can result in death, serious injury, or equipment damage.**

**NOTE:** The observation of operating limits and duty cycles is of particular importance for equipment designed to perform a safety function. If this module has been subjected to electrical, mechanical, or environmental stresses in excess of its stated limits, do not use it.

## WARNING

### UNINTENDED EQUIPMENT OPERATION

- Do not exceed any of the rated values specified in this document.
- Immediately cease using and replace any module that has or might have been subjected to conditions in excess of its rated operating limits.

**Failure to follow these instructions can result in death, serious injury, or equipment damage.**

## User Responsibilities

The information provided in this documentation contains general descriptions and/or technical characteristics of the performance of the products contained herein. This documentation is not intended as a substitute for and is not to be used for determining suitability or reliability of these products for specific user applications. It is the duty of any such user, machine builder, or system integrator to perform the appropriate and complete risk analysis, evaluation, and testing of the products with respect to the relevant specific application or use thereof.



Neither Schneider Electric nor any of its affiliates or subsidiaries shall be responsible or liable for misuse of the information contained herein. If you have any suggestions for improvements or amendments or have found discrepancies in this publication, notify Schneider Electric. All pertinent safety regulations must be observed when installing and using this product. For reasons of safety and to help ensure compliance with documented system data, only the manufacturer should perform repairs to components.

### Qualified Personnel

Electrical equipment should be installed, operated, serviced, and maintained only by qualified personnel. A qualified person is one who has skills and knowledge related to the construction and operation of this electrical equipment and its installation, and has received safety training to recognize and avoid the hazards involved.

### Modular Safety Controller

Key safety values	Value	Standard
Probability of a dangerous Failure per Hour (PFHd)	Refer to module-specific characteristics.	IEC 61508
Safety Integrity Level (SIL)	3	
Hardware Fault Tolerance (HFT)	1 (type B)	
Safety Integrity Level claim limit (SILcl)	3	IEC 62061
Type	4	EN 61496-1
Performance Level (PL) <sup>1</sup>	e	EN ISO 13849-1
Dc <sub>avg</sub> <sup>1</sup>	High	
Mean Time to Dangerous Failure (MTTFd) <sup>1</sup>	100 years <sup>2</sup>	
Category <sup>1</sup>	4	
Maximum service life <sup>1</sup>	20 years	
<p><b>1</b> The EN ISO 13849-1 performance level (PL) and safety category (Cat) of the overall system depends on multiple factors, including the selected modules, wiring practices, the physical environment, and the application.</p> <p><b>2</b> When expansion modules are added to the configuration, the MTTFd of the complete system will be affected, refer to the Schneider Electric Sistema library for help in calculating the MTTFd.</p>		

## WARNING

### UNINTENDED EQUIPMENT OPERATION

- You must carry out a risk assessment in accordance with EN ISO 14121-1.
- Validate the entire system/machine in accordance with the required performance level and risk assessment.

**Failure to follow these instructions can result in death, serious injury, or equipment damage.**

## Module and Function Description

The XPSMCMRO0004• and XPSMCMRO0004DA• are output expansion modules for the XPSMCM• Modular Safety Controller offer. The XPSMCMRO0004• and XPSMCMRO0004DA• modules can only be configured in conjunction with the XPSMCMCP0802• Modular Safety Controller. The XPSMCMRO0004• module contains two Category 4, or four Category 1, or two single-channel relay outputs. The XPSMCMRO0004DA• module contains two Category 4, or four Category 1, or two single-channel safety-related relay outputs. The diagnostic status outputs can be configured using SoSafe Configurable software.

**Node Address:** The XPSMCMRO0004• and XPSMCMRO0004DA• modules contain two node address inputs: `NODE_ADDR0` and `NODE_ADDR1`.

The `NODE_ADDR0` and `NODE_ADDR1` inputs (on the expansion modules) are used to attribute a physical address to the modules with the connections presented in the table:

NODE	NODE_ADDR1 (Terminal 3)	NODE_ADDR0 (Terminal 2)
NODE 0	0 (or not connected)	0 (or not connected)
NODE 1	0 (or not connected)	24 Vdc
NODE 2	24 Vdc	0 (or not connected)
NODE 3	24 Vdc	24 Vdc

**NOTE:** It is not allowed to use the same physical address for two units of the same module reference.

## Inputs

The XPSMCMRO0004• and XPSMCMRO0004DA• modules contain four digital inputs to read the feedback of the external device monitoring (EDM). The specific settings of these inputs is configured within the SoSafe Configurable software environment.

## Outputs

The XPSMCMRO0004• and XPSMCMRO0004DA• modules use guided contact safety relays. Each module contains four independent relay outputs which can be configured as Category 1, Category 2 or Category 4 within SoSafe Configurable software.

The `STATUS` outputs are configurable digital outputs that indicate the diagnostic status of safety function inputs and/or outputs. The status outputs are non-safety related outputs (not implicated in the prescribed safety function) and are intended to be connected only for diagnostic purposes. Eight status outputs are available on the XPSMCMRO0004DA• module.

# WARNING



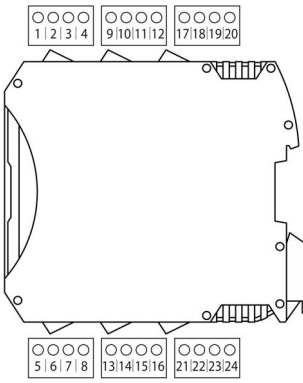
## UNINTENDED EQUIPMENT OPERATION

Do not use `STATUS` outputs for safety-related functions.

**Failure to follow these instructions can result in death, serious injury, or equipment damage.**

## Terminals

**Examples with maximum number of terminals. Regarding terminal designation, refer to table below.**

<p>Screw terminals example</p> 	<p>Spring terminals example</p> 	<p>Terminal numbers</p> 
------------------------------------------------------------------------------------------------------------------	-------------------------------------------------------------------------------------------------------------------	------------------------------------------------------------------------------------------------------------

XPSMCMRO0004• module

Terminal	Signal	LED	Type	Description	Operation
1	24 VDC	PWR	–	24 Vdc power supply	–
2	NODE_ADDR0	ADDR0	Input	Node selection	Input type 1 according to EN 61131-2
3	NODE_ADDR1	ADDR1			
4	0 VDC	PWR	–	0 Vdc power supply	-
5	RESTART1	RST 1	Input	Feedback/Restart 1	Input type 1 according to EN 61131-2
6	RESTART2	RST 2		Feedback/Restart 2	
7	RESTART3	RST 3		Feedback/Restart 3	
8	RESTART4	RST 4		Feedback/Restart 4	
9	A_NO1	-	Output	NO contact channel 1	-
10	B_NO1				
11	A_NO2			NO contact channel 2	
12	B_NO2				
13	A_NO3			NO contact channel 3	
14	B_NO3				
15	A_NO4			NO contact channel 4	
16	B_NO4				

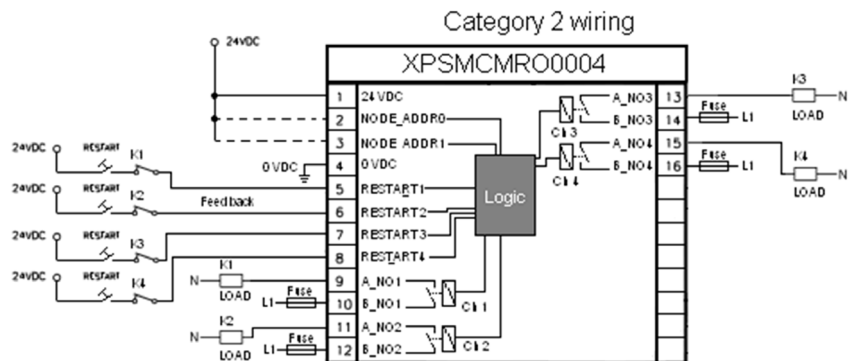
XPSMCMRO0004DA• module

Terminal	Signal	LED	Type	Description	Operation
1	24 VDC	PWR	–	24 Vdc power supply	–
2	NODE_ADDR0	ADDR0	Input	Node selection	Input type 1 according to EN 61131-2
3	NODE_ADDR1	ADDR1			
4	0 VDC	PWR	–	0 Vdc power supply	-
5	RESTART1	RST 1	Input	Feedback/Restart 1	Input type 1 according to EN 61131-2
6	RESTART2	RST 2		Feedback/Restart 2	
7	RESTART3	RST 3		Feedback/Restart 3	
8	RESTART4	RST 4		Feedback/Restart 4	
9	A_NO1	-	Output	NO contact channel 1	-
10	B_NO1			NO contact channel 2	
11	A_NO2				
12	B_NO2			NO contact channel 3	
13	A_NO3				
14	B_NO3			NO contact channel 4	
15	A_NO4				
16	B_NO4				
17	OUT_STATUS 1	STATUS 1	Output	Configurable diagnostic output	PNP (sourcing) active high
18	OUT_STATUS 2	STATUS 2			
19	OUT_STATUS 3	STATUS 3			
20	OUT_STATUS 4	STATUS 4			
21	OUT_STATUS 5	STATUS 5			
22	OUT_STATUS 6	STATUS 6			
23	OUT_STATUS 7	STATUS 7			
24	OUT_STATUS 8	STATUS 8			

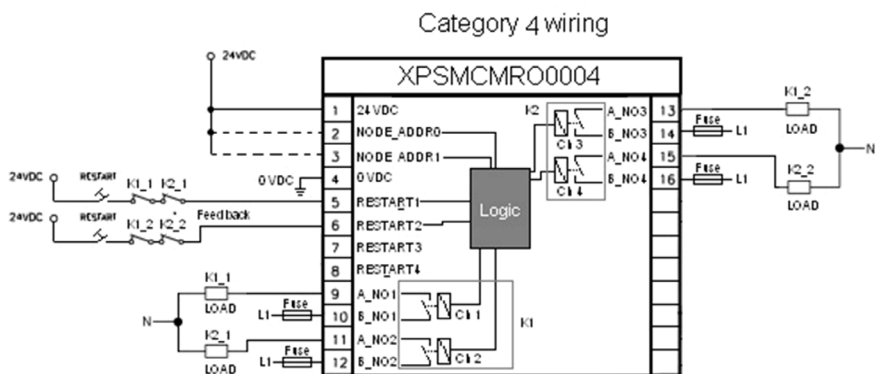
## Wiring Example

XPSMCMRO0004+ modules

Category 2 wiring

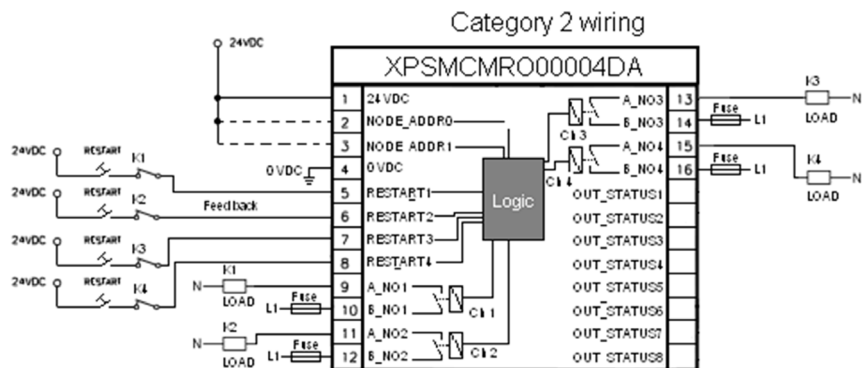


Category 4 wiring



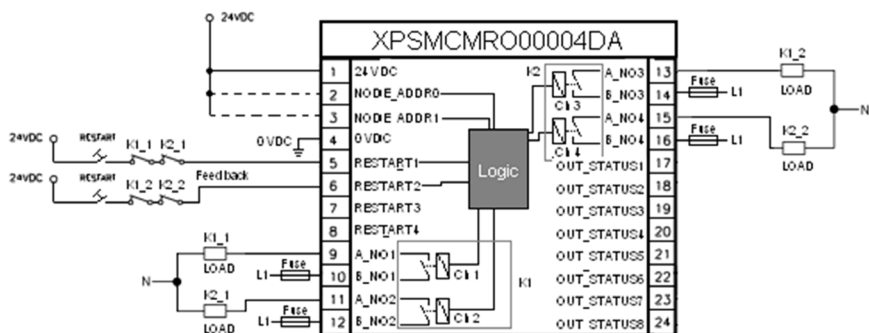
XPSMCMRO0004DA• modules

Category 2 wiring

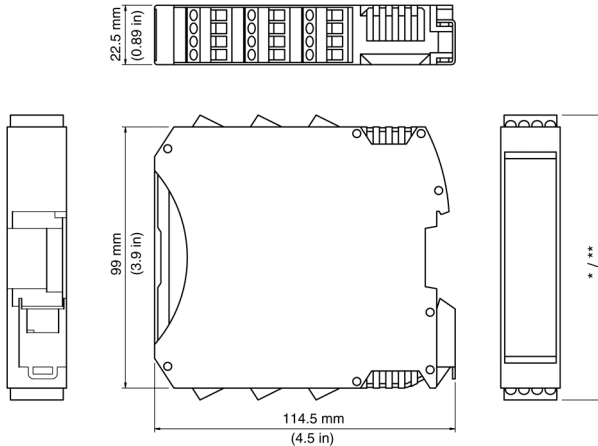


Category 4 wiring

Category 4 wiring



## Dimensions



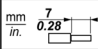








- \* Screw terminals 108 mm (4.25 in)
- \*\* Spring terminals 118 mm (4.67 in)

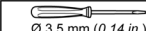
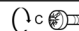
Mount the modules (Modular Safety Controller and any I/O expansion modules) within an IP54 rated electric cabinet. The minimum clearance below and above the controller is 40 mm. Allow at least 100 mm distance between the cabinet door and the front face of the module(s). There are no clearances required on the left or right side of the module(s); however, other equipment in proximity may require larger distances and those clearances must also be taken into account.

## Technical Data







### Cable types and wire sizes

for a 5.08 pitch removable **screw** terminal block

								
mm <sup>2</sup>	0.2...2.5	0.2...2.5	0.25...2.5	0.25...1.5	2 x 0.2...1	2 x 0.2...1.5	2 x 0.25...1	2 x 0.5...1.5
AWG	24...14	24...14	23...14	23...16	2 x 24...18	2 x 24...16	2 x 23...18	2 x 20...16

		N•m	0.5
Ø 3,5 mm (0.14 in.)		lb-in	4.42

for a 5.08 pitch removable **spring** terminal block (used by XPSMCM•••G).

					
mm <sup>2</sup>	0.2...2.5	0.2...2.5	0.25...2.5	0.25...2.5	2 x 0.5...1
AWG	24...14	24...14	23...14	23...14	2 x 20...18

The following instructions concerning connection cables must be observed:

- Use 60/75 °C copper (Cu) conductor only. Maximum cable length 100 m (328 ft).
- Cables used for connections of longer than 50 m (164 ft) must have a cross-section of at least 1 mm<sup>2</sup> (AWG 16).

Enclosure	
Enclosure material	Polyamide
Enclosure protection class	IP20
Terminal blocks protection class	IP2x
Mounting	35 mm DIN rail according to EN/IEC 60715
Mounting position	Horizontal
Dimensions (h x l x d)	<ul style="list-style-type: none"> <li>● Screw terminals: 108 x 22.5 x 114.5 mm (4.25 x 0.89 x 4.5 in)</li> <li>● Spring terminals: 118.5 x 22.5 x 114.5 mm (4.67 x 0.89 x 4.5 in)</li> </ul>

General characteristics			
Rated voltage	24 Vdc ± 20 % (PELV supply)		
Dissipated power	3 W maximum		
Over voltage category	II		
Ambient operating temperature	-10...+55 °C (14...131 °F)		
Storage temperature	-20...+85 °C (-4...185 °F)		
Relative humidity	10...95%		
Maximum operation altitude	2000 m (6562 ft)		
Pollution degree	2		
Vibration resistance (IEC/EN 61496-1)	+/- 3.5 mm (0.138 in) 5...8.4 Hz 1 g (8.4...150 Hz)		
Shock resistance (IEC/EN 61496-1)	15 g (11 ms half-sine)		
EMC Category	Zone B		
<b>Response time (ms)</b> The response time depends on the following parameters: <ul style="list-style-type: none"> <li>● Number of expansion modules installed</li> <li>● Number of operators</li> <li>● Number of OSSD outputs</li> </ul> For the correct response time, refer to the one calculated by the SoSafe Configurable software (see project report). $T_{\text{Input\_filter}}$ = filtering time set on project inputs (see <i>Inputs</i> section in the <i>Modular Safety Controller User Guide</i> .)	Controller	10.6...12.6	+ $T_{\text{Input\_filter}}$
	Controller + 1 expansion module	11.8...26.5	+ $T_{\text{Input\_filter}}$
	Controller + 2 expansion modules	12.8...28.7	+ $T_{\text{Input\_filter}}$
	Controller + 3 expansion modules	13.9...30.8	+ $T_{\text{Input\_filter}}$
	Controller + 4 expansion modules	15...33	+ $T_{\text{Input\_filter}}$
	Controller + 5 expansion modules	16...35	+ $T_{\text{Input\_filter}}$
	Controller + 6 expansion modules	17...37.3	+ $T_{\text{Input\_filter}}$
	Controller + 7 expansion modules	18.2...39.5	+ $T_{\text{Input\_filter}}$
	Controller + 8 expansion modules	19.3...41.7	+ $T_{\text{Input\_filter}}$
	Controller + 9 expansion modules	20.4...43.8	+ $T_{\text{Input\_filter}}$
	Controller + 10 expansion modules	21.5...46	+ $T_{\text{Input\_filter}}$
	Controller + 11 expansion modules	22.5...48.1	+ $T_{\text{Input\_filter}}$
	Controller + 12 expansion modules	23.6...50.3	+ $T_{\text{Input\_filter}}$
	Controller + 13 expansion modules	24.7...52.5	+ $T_{\text{Input\_filter}}$
	Controller + 14 expansion modules	25.8...54.6	+ $T_{\text{Input\_filter}}$



Module-specific characteristics	XPSMCMRO0004•	XPSMCMRO0004DA•
Reference description	Electronic housing maximum 16-pole, with locking latch mounting	Electronic housing maximum 24-pole, with locking latch mounting
Switching voltage	240 Vac	
Switching current	6 A maximum	
Excitation voltage	17...31 Vdc	
Minimum switching voltage	10 Vdc	
Minimum switching current	20 mA	
Maximum switching voltage (DC)	250 Vdc	
Maximum switching voltage (AC)	400 Vac	
Maximum switching current	6 A	
N.O. contacts	4	
FEEDBACK contacts	4 / EDM (External Device Monitoring) type 1 according to EN61131-2/ possible automatic or manual operation with restart pushbutton	
Status outputs	-	8 configurable outputs PNP active high
Response time	12 ms	
Mechanical life of contacts	> 20 x 10 <sup>6</sup>	
Connection to expansion modules	5-way backplane expansion	
Weight	0.12 kg (4.2 Oz)	
Slot for memory card	No (Modular Safety Controller only)	

Module-specific characteristics concerning safety (XPSMCMRO0004•/XPSMCMRO0004DA•)									
-		Feedback contact used				Feedback contact not used			
		PFHd	SFF (%)	MTTFd (years)	DCavg	PFHd	SFF (%)	MTTFd (years)	DCavg
DC-13 (2A)	t <sub>cycle1</sub>	3.09E-10	99.6	2335.94	98.9	9.46E-10	0.60	2335.93	0
	t <sub>cycle2</sub>	8.53E-11	99.7	24453.47	97.7	1.08E-10	0.87	24453.47	0
	t <sub>cycle3</sub>	6.63E-11	99.8	126678.49	92.5	6.75E-11	0.97	126678.5	0
t <sub>cycle1</sub> 300 s (1 commutation every 5 minutes) t <sub>cycle2</sub> 3600s (1 commutation every hour) t <sub>cycle3</sub> 1 commutation every day <b>PFHd</b> Probability of a dangerous Failure per Hour according IEC 61508 <b>MTTFd and DCavg</b> Mean Time to dangerous Failure and Diagnostic Coverage average according EN ISO 13849-1									

Module-specific characteristics concerning safety (XPSMCMRO0004•/XPSMCMRO0004DA•)									
-		Feedback contact used				Feedback contact not used			
		PFHd	SFF (%)	MTTFd (years)	DCavg	PFHd	SFF (%)	MTTFd (years)	DCavg
AC-15 (3A)	t <sub>cycle1</sub>	8.23E-09	99.5	70.99	99.0	4.60E-07	0.50	70.99	0
	t <sub>cycle2</sub>	7.42E-10	99.5	848.16	99.0	4.49E-09	0.54	848.15	0
	t <sub>cycle3</sub>	1.07E-10	99.7	12653.85	98.4	1.61E-10	0.79	12653.85	0
AC-15 (1A)	t <sub>cycle1</sub>	3.32E-09	99.5	177.38	99.0	7.75E-08	0.51	177.37	0
	t <sub>cycle2</sub>	3.36E-10	99.6	2105.14	98.9	1.09E-09	0.60	2105.14	0
	t <sub>cycle3</sub>	8.19E-11	99.7	28549.13	97.5	1.00E-10	0.88	28549.13	0
t <sub>cycle1</sub> 300 s (1 commutation every 5 minutes) t <sub>cycle2</sub> 3600s (1 commutation every hour) t <sub>cycle3</sub> 1 commutation every day <b>PFHd</b> Probability of a dangerous Failure per Hour according IEC 61508 <b>MTTFd and DCavg</b> Mean Time to dangerous Failure and Diagnostic Coverage average according EN ISO 13849-1									

### Checklist After Installation

The following must be verified:

Step	Action
1	Conduct a full functional test of the system (see <i>Validation</i> section in the <i>Modular Safety Controller User Guide</i> .)
2	Verify that all the cables are correctly inserted and the terminal blocks are within correct torque for screw terminals.
3	Verify that all the LED indicators are correctly illuminating for the inputs and outputs used.
4	Verify the positioning and function of all input and output sensors and actuators used with the XPSMCM•.
5	Verify the correct mounting of XPSMCM• to the DIN rail.
6	Verify that all the external indicators (lamps/beacons/sirens) are correctly functioning.

## EC Declaration of Conformity



### EC DECLARATION OF CONFORMITY

Copy of Document-no.: EAV9139101.00  
Original Language

WE: **Schneider Electric Automation GmbH** / Schneiderplatz 1 / Marktheidenfeld 97828, Germany  
*hereby declare that the safety component*

TRADEMARK: **SCHNEIDER ELECTRIC**

PRODUCT, TYPE: Modular Safety Controller

MODELS: XPSMCMCO0000S1\*, XPSMCMCO0000S2\*, XPSMCMCP0802\*, XPSMCMCI0800\*,  
XPSMCMCI1200MT\*, XPSMCMCI1600\*, XPSMCMDO0002\*, XPSMCMDO0004\*,  
XPSMCMEN0100HT\*, XPSMCMEN0100SC\*, XPSMCMEN0100TT\*, XPSMCMEN0200HT\*,  
XPSMCMEN0200SC\*, XPSMCMEN0200TT\*, XPSMCMER0002\*, XPSMCMER0004\*,  
XPSMCMMX0802\*, XPSMCMRO0004DA\*, XPSMCMRO0004\*, XPSMCMEN0200\*,  
XPSMCMME0000

SERIAL NUMBER: YYXXZZZZ (YY: 10...99, XX: 01...53, ZZZZ: 0001...9999)

DATE OF MANUFACTURING: refer to device nameplate

*all the essential protection requirements that are described in the following directives are defined, corresponding.  
Furthermore, the conformity with the following harmonized European standards explained:*

DIRECTIVE:	HARMONIZED STANDARD:
<b>DIRECTIVE 2006/42/EC OF THE EUROPEAN PARLIAMENT AND OF THE COUNCIL</b> of 17 May 2006 on machinery, and amending Directive 95/16/EC (recast)	EN 62061:2005 EN ISO 13849-1:2008 EN 61496-1:2013
<b>DIRECTIVE 2004/108/EC OF THE EUROPEAN PARLIAMENT AND OF THE COUNCIL (EMC)</b> of 15 December 2004 on the approximation of the laws of the Member States relating to electromagnetic compatibility and repealing Directive 89/336/EEC	EN 61131-2:2007
<b>DIRECTIVE 2011/65/EC OF THE EUROPEAN PARLIAMENT AND OF THE COUNCIL (RoHS)</b> of 8 June 2011 on the restriction of the use of certain hazardous substances in electrical and electronic equipment	EN 50581:2012

*It is important that the safety component is subject to correct installation, maintenance and use conforming to its intended purpose, to the applicable regulations and standards, to the supplier's instructions and to accepted rules of the art.*

Name and address of the person authorised to compile the technical file:

Michael Schweizer / Schneider Electric Automation GmbH / Schneiderplatz 1 / Marktheidenfeld 97828, Germany

First year of affixing CE marking: 2014

Marktheidenfeld, Germany  
December 1st, 2014

i.A. Michael Schweizer  
Machine Solutions Certification Manager

The original EC Declaration of Conformity is available on our website: [www.schneider-electric.com](http://www.schneider-electric.com)

