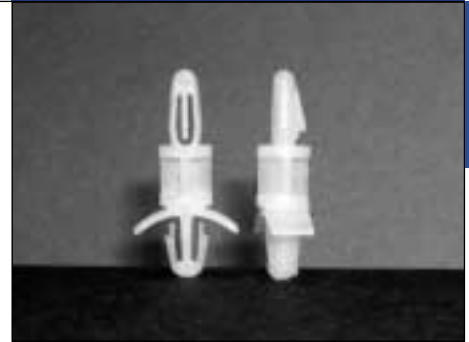
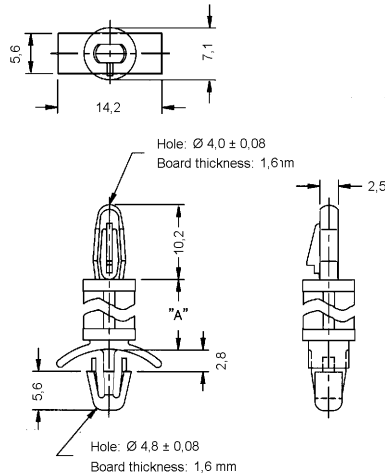


# CIRCUIT BOARD HARDWARE

A

| Part No.   | "A"<br>mm |
|------------|-----------|
| LCBS-3-01  | 4.8       |
| LCBS-4-01  | 6.4       |
| LCBS-5-01  | 7.9       |
| LCBS-6-01  | 9.5       |
| LCBS-7-01  | 11.1      |
| LCBS-8-01  | 12.7      |
| LCBS-10-01 | 15.9      |
| LCBS-12-01 | 19.1      |
| LCBS-14-01 | 22.2      |
| LCBS-16-01 | 25.4      |
| LCBS-18-01 | 28.6      |
| LCBS-20-01 | 31.7      |
| LCBS-22-01 | 34.9      |



**LCBS**

LOCKING CIRCUIT BOARD SUPPORT

Patent No. 3,777,052 & 3,909,883

Material: Nylon 6/6 - natural; UL 94 V-2, RMS-01  
or  
Nylon 6/6 - natural; UL 94 V-0, RMS-19  
Std. Pk.: 1.000 pcs.

Note:

|      |        |               |
|------|--------|---------------|
| LCBS | 3      | 01            |
| Part | Length | Material Code |