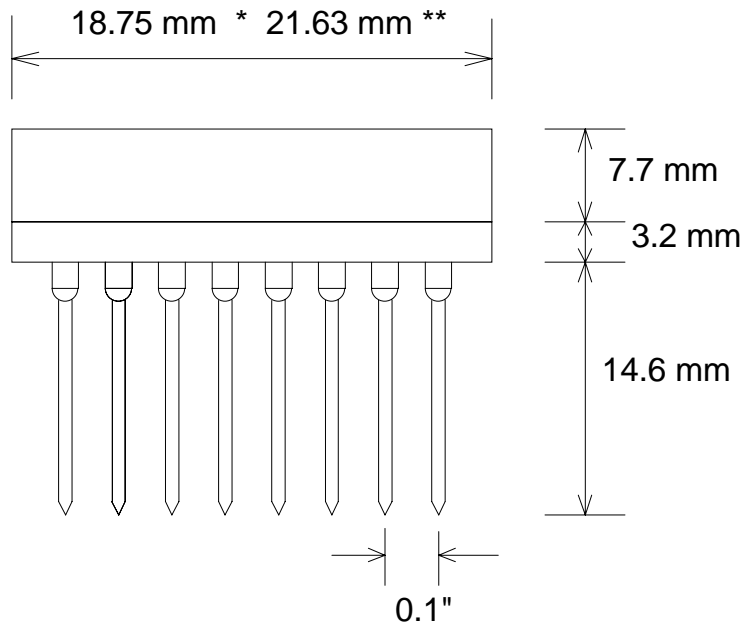


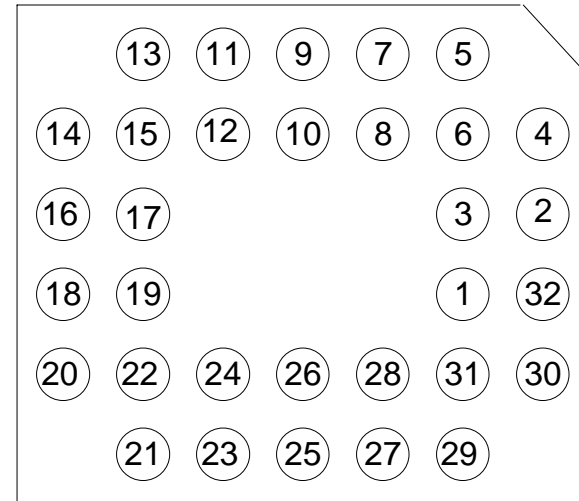
**TITLE : PLCC SOCKET WITH WIRE WRAP - WPLCC032-T3**

**RS 244 6802**

**DIM.  
AS SHOWN**



\*\* Rectangular Socket.



Voltage rating	100 vrms/ 150v .dc
Current rating	1A.
Contact Resistance	30 m ohm max
Insulation Resistance	1000 Mega ohm max
Operating temperature	-55 c to 125 c
Durability	100 cycles

TOL.	
0	+/- 1
0.0	+/- 0.1
0.00	+/- 0.01
0.000	+/- 0.001

**DWN. OHT**

**DATE: 24/7/97**

**SCALE.  
NTS**

**ISSUE.  
RS01**

**MODIFICATIONS.  
NONE**

# WINSLOW INTERNATIONAL Ltd.

ADAPTICS HOUSE, BRECON ENTERPRISE PARK.  
BRECON. POWYS. LD3 8EF.

Tel : 0044 (0)1874 625555 Fax : 0044 (0)1874 625500

Email : SALES @ winslow.co.uk Web : <http://www.winslow.co.uk>

**DEVICES. Generic**

for further details please contact factory.