

OccuSwitch

LRM1040 OS mov det IP55 240dgr



The LRM1040 is a movement detector designed for outdoor or indoor (IP55) use. It can be mounted on a wall, corner or ceiling, has a 12-meter range over 240° and switches up to 2000 VA. An adjustable light sensor prevents the lights from switching on when sufficient daylight is available. The sensor comes with two shields (120°), and the head can be adjusted by up to 90°.

Product data

• General Characteristics

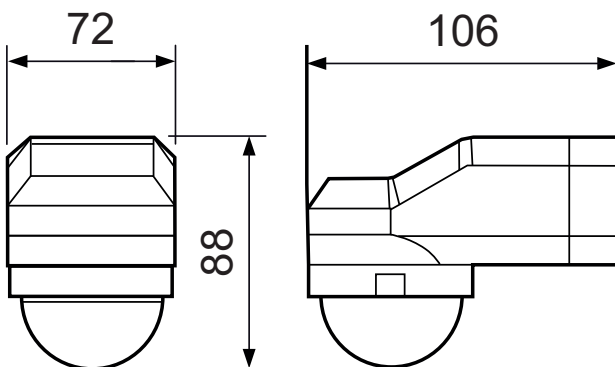
Design mov det IP55 240dgr

• Product Data

Order code 913700350903
Full product code 913700350903
Full product name LRM1040 OS mov det IP55 240dgr
Order product name LRM1040 OS mov det IP55 240dgr
Pieces per pack 1

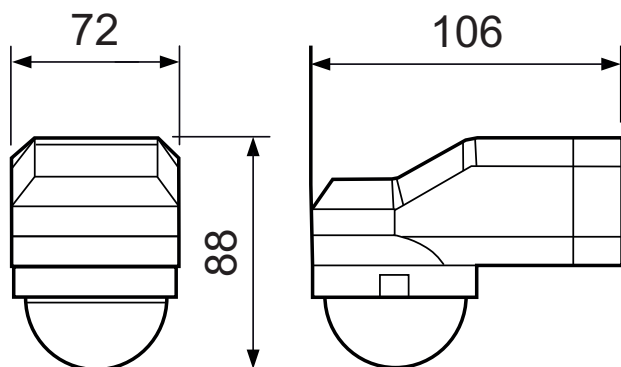
Packing configuration 36
Packs per outerbox 36
Bar code on pack - EAN1 8718291225737
Bar code on outerbox - EAN3 8718291225744
Logistic code(s) - 12NC 913700350903
Net weight per piece 0.200 kg

Dimensional drawing



LRM1040 OS mov det IP55 240dgr

Dimensional drawing



LRM1040 OS mov det IP55 240dgr



© 2013 Koninklijke Philips Electronics N.V.
All rights reserved.

Specifications are subject to change without notice. Trademarks are the property of Koninklijke Philips Electronics N.V. or their respective owners.

www.philips.com/lighting

2013, April 25
data subject to change