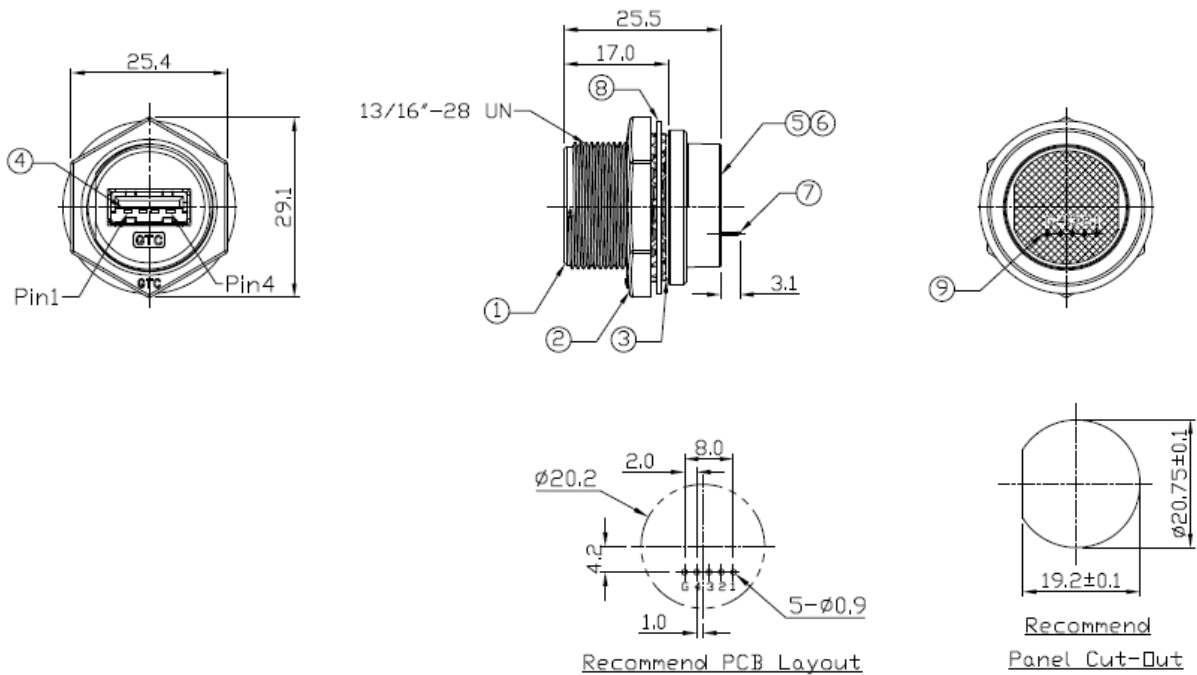


Datasheet

RS Pro USB-A Metal C3 Panel Jack Screw Dip

RS Stock No: 122-3030



9	Glue	Epoxy Color: Black	
8	Metal Washer	SUS Finish: -	1
7	Pin Header	Housing: Thermoplastic, Color: Black Contacts: Copper Alloy, Finish: Gold Flash	1
6	EMI Shielded Plate	Copper Finish: Ni Plated	1
5	PCB	FR-4 Color: Green	1
4	USB-A Receptacle	Housing: Thermoplastic, Color: Black Contacts: Copper Alloy, Finish: Au Plated Shell: Copper Alloy, Finish: Ni Plated	1
3	O-Ring	Silicone Color: Red	1
2	Hex Nut	Zn Alloy Finish: Ni Plated	1
1	Housing	Zn Alloy Finish: Ni Plated	1
Item	Part Name	Material / Finish	Q'ty

Note: (unless otherwise specified)

1. Waterproof Rate: IP68
2. Recommend Panel Thickness: 0.8 to 6.0mm
3. Recommend Torque: 19~20 Kgf-cm
4. RoHS Compliant