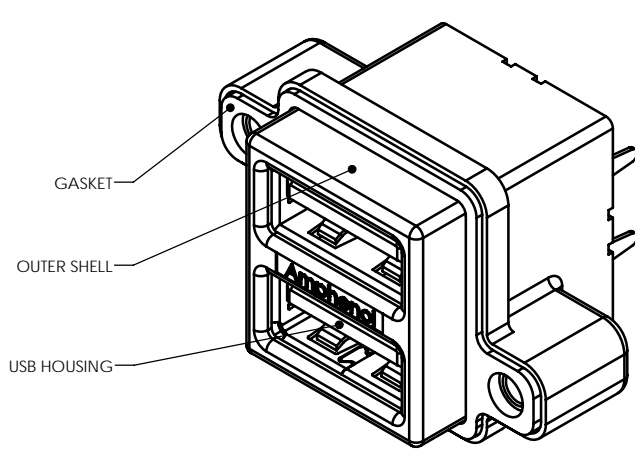
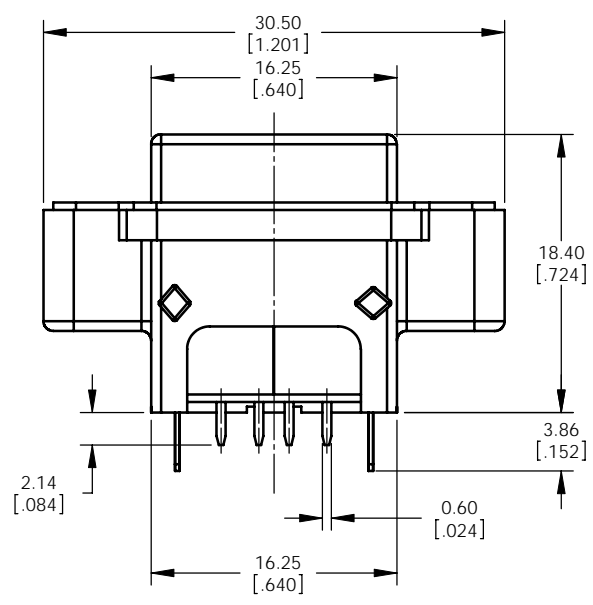
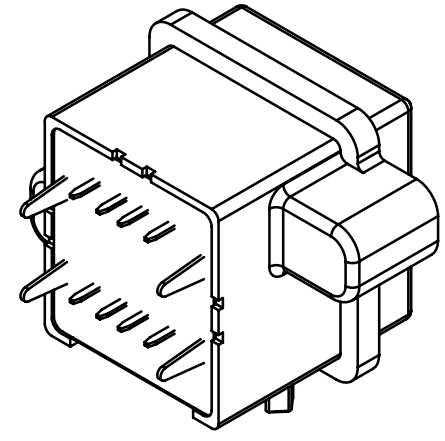
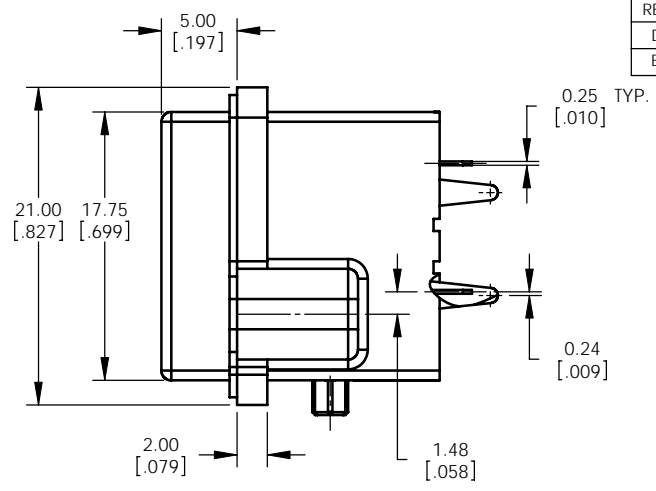
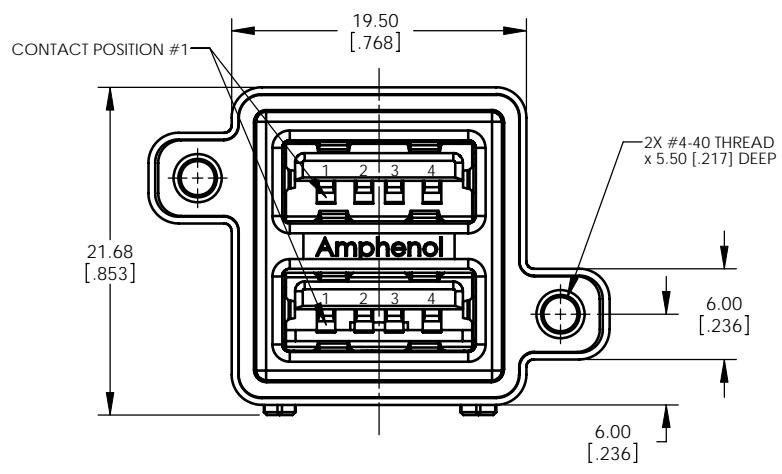


REVISIONS			
REV	ECN, ERN NO.	DATE	APPRD.
D	PROTOTYPE	AUG23/07	K.L.
E	ECN E08044, FOOTPRINT UPDATE	FEB26/08	K.L.



**NOTES:**

- MATERIAL:  
ALL MATERIALS ARE RoHS COMPLIANT PER EU DIRECTIVE 2002/95/EC AND AMENDMENTS
  - SHELL - DIECAST ZINC, NICKEL PLATED
  - CONTACTS - COPPER ALLOY WITH 30 MICROINCHES (0.76 MICRONS) GOLD OVER 50 MICROINCHES (1.27 MICRONS) MINIMUM NICKEL ON THE MATING AREA AND TIN ON THE CONTACT TAILS.
  - INSERTS - ENGINEERING THERMOPLASTIC, HIGH TEMPERATURE RESISTANT, UL FLAMMABILITY RATING 94V-0, COLOUR: BLACK
  - GASKET - SILICONE RUBBER
- ENVIRONMENTAL PERFORMANCE PER IEC 60529 CODE IP67 FOR SEAL BETWEEN MATING AREA AND PCB SIDE OF CONNECTOR. GASKET PROVIDES FOR SEAL TO INSIDE FACE OF PANEL.
- CURRENT RATING: 1.5 AMPERES
- CONTACT RESISTANCE: 30 MILLIOHMS MAXIMUM
- OPERATING TEMPERATURE: -40C TO +105C

AMPHENOL PART NUMBER: MUSB-C511-00

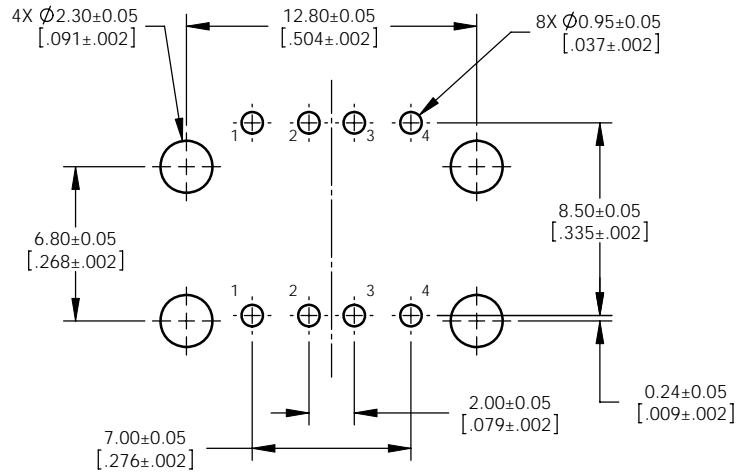


DO NOT SCALE DRAWING

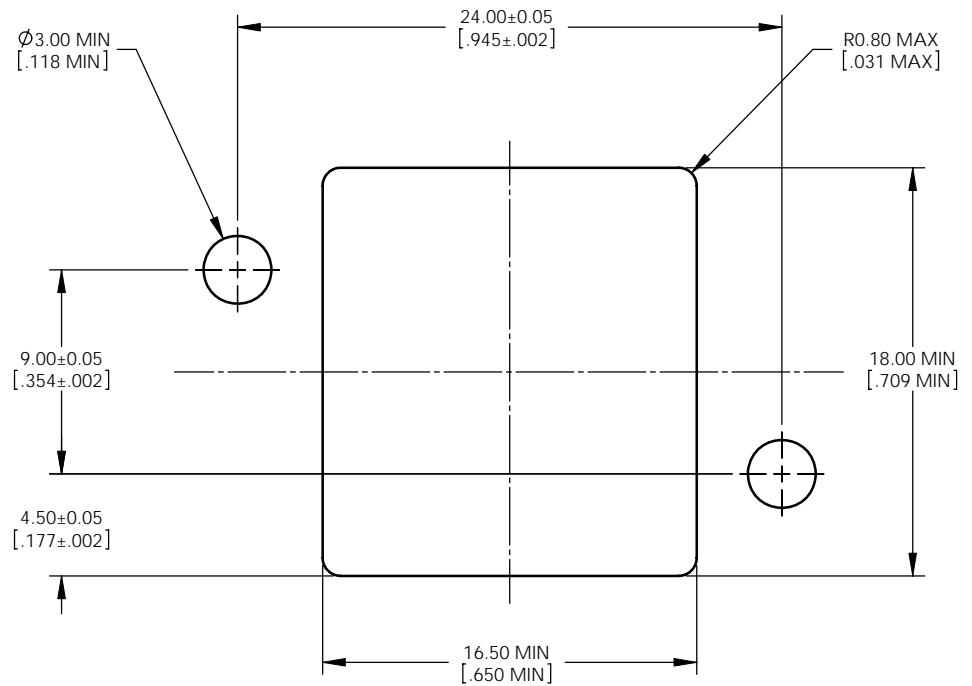
THIS DOCUMENT CONTAINS PROPRIETARY INFORMATION AND SUCH INFORMATION MAY NOT BE DISCLOSED TO OTHERS FOR ANY PURPOSE OR USED FOR MANUFACTURING PURPOSES WITHOUT PERMISSION FROM AMPHENOL CANADA CORP.

UNLESS OTHERWISE SPECIFIED DIMENSIONS ARE IN MILLIMETERS TOLERANCES ARE:		APPROVALS		DATE		Amphenol Canada Corp.	
DECIMALS	ANGLES	DESIGNED	S. SEMENOV	MAR03/08	TITLE		
.XX ±	±1°	DESIGNED			MUSB SERIES RUGGED USB RECEPTACLE, STACKED SERIES 'A' INTERFACE, VERTICAL PCB MOUNT, #4-40 THREAD, ROHS COMPLIANT		
XX ±		CHECKED			SEE NOTE 1		
MATERIAL AND FINISH		DRAPPD			REV E		
ENG. REL. NO.	EAR 13139	DRG. NO.			SCALE	PROJECT	SHEET
CODE IDENT. NO.		DRG. APPR'D.	A. GREEN	MAR03/08	4:1	MUSB	1 OF 2

REVISIONS			
REV	ECN, ERN NO.	DATE	APPRD.
D	PROTOTYPE	AUG23/07	K.L.
E	ECN E08044, FOOTPRINT UPDATE	FEB26/08	K.L.



**RECOMMENDED PCB LAYOUT**  
(COMPONENT SIDE OF BOARD)



**RECOMMENDED PANEL CUTOUT**



**DO NOT SCALE DRAWING**

THIS DOCUMENT CONTAINS PROPRIETARY INFORMATION AND SUCH INFORMATION MAY NOT BE DISCLOSED TO OTHERS FOR ANY PURPOSE OR USED FOR MANUFACTURING PURPOSES WITHOUT PERMISSION FROM AMPHENOL CANADA CORP.

UNLESS OTHERWISE SPECIFIED DIMENSIONS ARE IN MILLIMETERS TOLERANCES ARE:		APPROVALS	DATE	Amphenol Canada Corp.	
.XX ±	DECIMALS	DESIGNED	MAR03/08	TITLE	
.X ±	ANGLES	DESIGNED	S.SEMENOV	MUSB SERIES RUGGED USB	
.XX ±	ANGLES	CHECKED		RECEPTACLE, STACKED SERIES 'A'	
		DR. APP'D		INTERFACE, VERTICAL PCB MOUNT,	
				#4-40 THREAD, ROHS COMPLIANT	
ENG. REL. NO.	SEE NOTE 1			DRG. NO.	REV
EAR 13139				C P-MUSB-C511-00	E
CODE IDENT. NO.	DRG. APP'D	SCALE	PROJECT	SHEET	2 OF 2
	A.GREEN	6:1	MAR03/08	1	