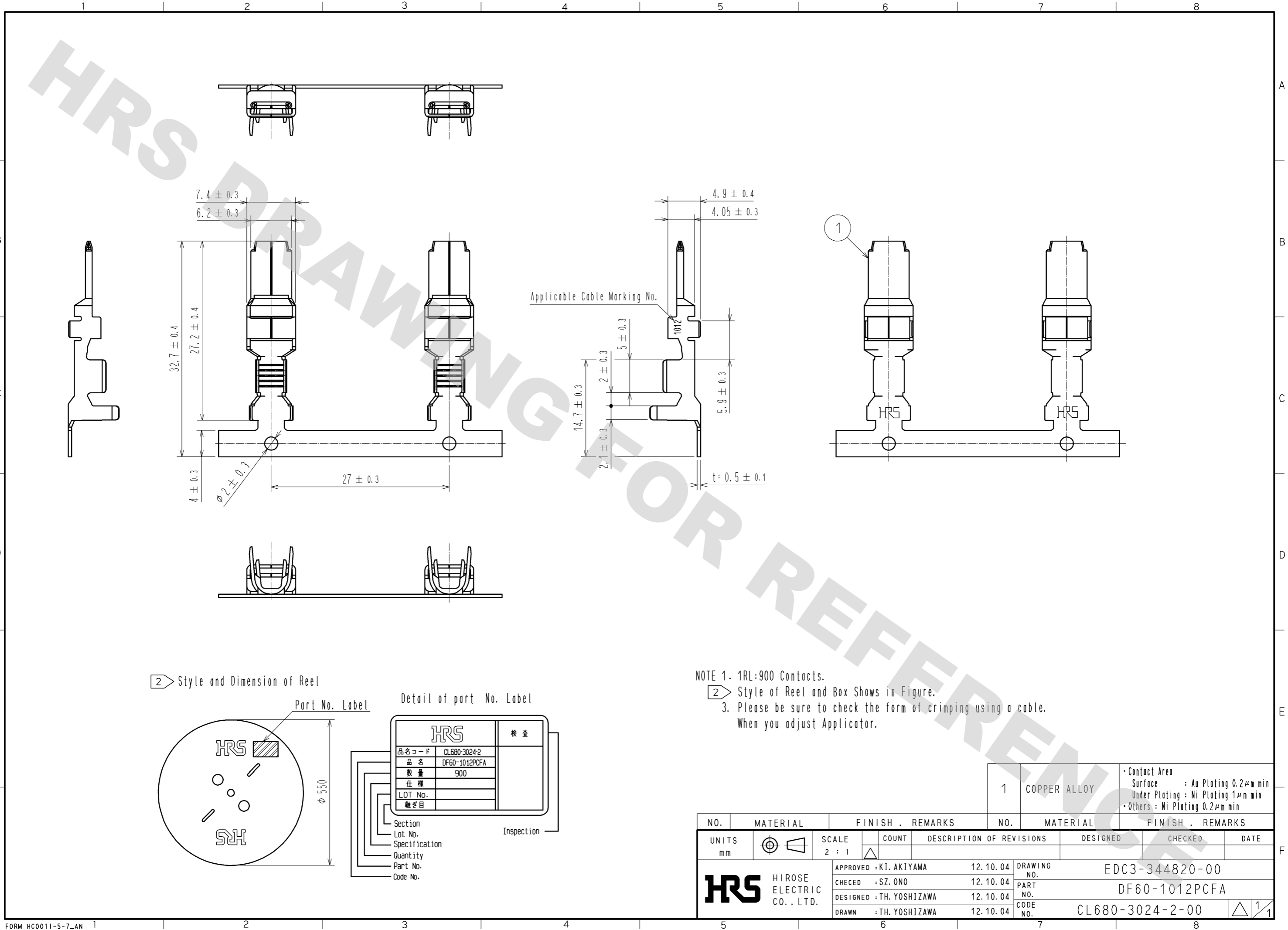
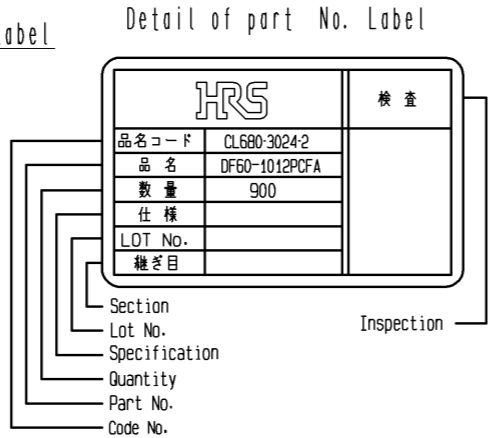
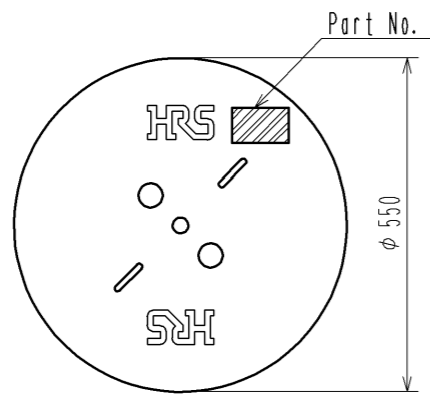


DRAWING FOR REFERENCE: This is subject to change without notice
12/05/2013



2 Style and Dimension of Reel



NOTE 1. 1RL:900 Contacts.
2 Style of Reel and Box Shows in Figure.
3. Please be sure to check the form of crimping using a cable.
When you adjust Applicator.

NO.	MATERIAL	FINISH . REMARKS	NO.	MATERIAL	FINISH . REMARKS
1	COPPER ALLOY				- Contact Area Surface : Au Plating 0.2μm min Under Plating : Ni Plating 1μm min - Others : Ni Plating 0.2μm min

UNITS mm		SCALE 2 : 1	COUNT △	DESCRIPTION OF REVISIONS	DESIGNED	CHECKED	DATE
HRS HIROSE ELECTRIC CO., LTD.		APPROVED : KI. AKIYAMA	12.10.04	DRAWING NO.	EDC3-344820-00		
		CHECED : SZ. ONO	12.10.04	PART NO.	DF60-1012PCFA		
		DESIGNED : TH. YOSHIKAWA	12.10.04	CODE NO.	CL680-3024-2-00		
		DRAWN : TH. YOSHIKAWA	12.10.04		△ 1/1		