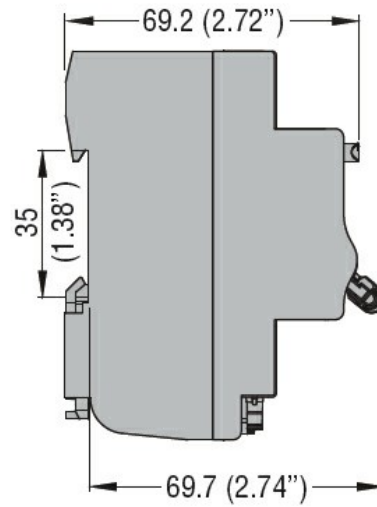
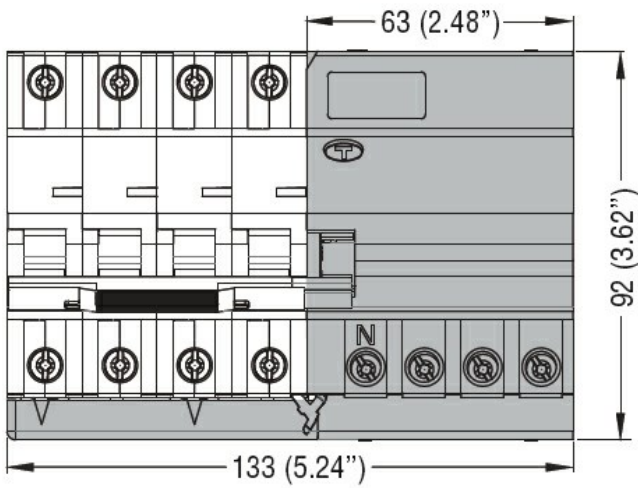




| | | | | |
|--------------------------------------|-----------|-----------------|--|-----------------------|
| Product designation | | | | Residual block add-on |
| Product type designation | | | | P1 RA |
| Number of poles | | | | 4P |
| Number of DIN modules | | | | 3.5 |
| Compliance | | | | IEC |
| Electrical features | | | | |
| Rated insulation voltage Ui | | V | | 400 |
| Rated impulse withstand voltage Uimp | | kV | | 4 |
| Rated operational voltage AC (IEC) | | VAC | | 230/400 |
| Rated frequency | | Hz | | 50/60 |
| Rated current (In) | | A | | 63 |
| Residual operation characteristic | | | | A |
| Ambient conditions | | | | |
| Operating temperature | min | °C | | -35 |
| | max | °C | | 70 |
| Storage temperature | min | °C | | -40 |
| | max | °C | | 80 |
| Max altitude | | m | | 2000 |
| Mechanical features | | | | |
| Operating position | | normal | | 35mm DIN rail |
| | | | | 35mm DIN rail |
| Mounting | | | | 35mm DIN rail |
| Tightening torque for terminals | max | Nm | | 2 |
| | max | lbft | | 1.5 |
| Terminals tool | | | | Pz 2 |
| Conductor section | min (IEC) | mm ² | | 1 |
| | max (IEC) | mm ² | | 16 |
| | min (AWG) | | | 14 |
| | max (AWG) | | | 6 |
| Weight | | g | | 230 |
| Frontal IP degree | | | | IP20 |
| Pollution degree | | | | 2 |
| Dimensions | | | | |



Certifications and compliance

Compliance

IEC/EN 61009-1

Certifications

EAC

TÜV-SUD