

5

4

3

2

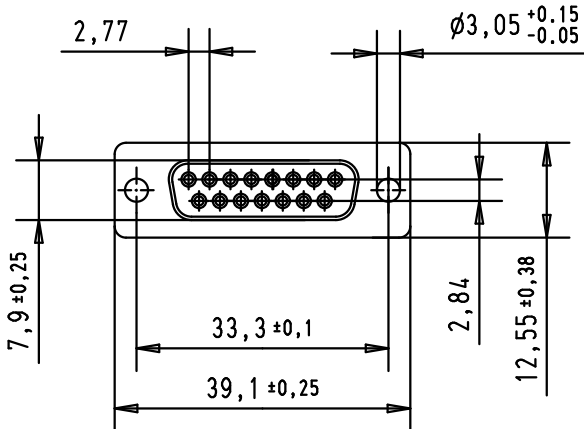
1

D

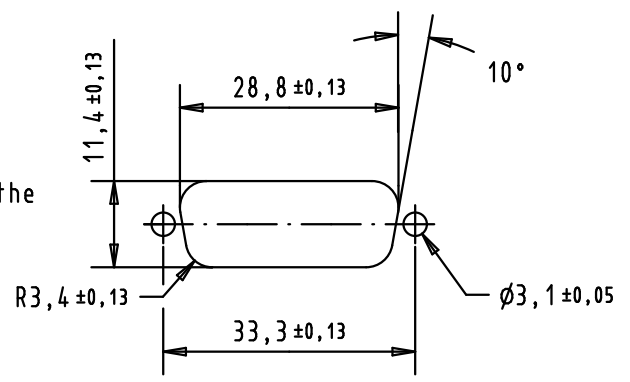
C

B

A

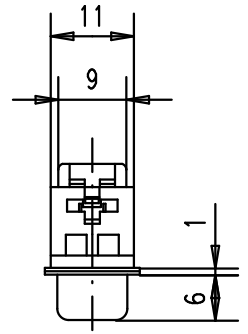
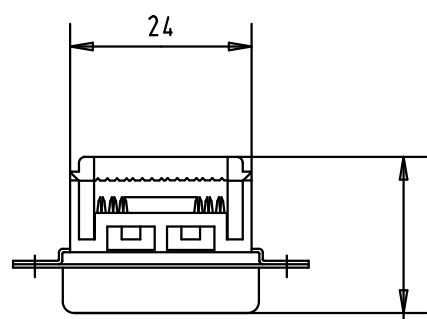
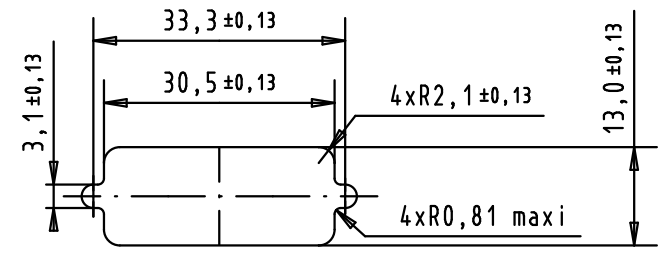


RECOMMAMDED PANEL CUTOUT DIMENSIONS FOR REAR MOUNTING



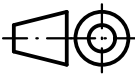

Values are taken from the CECC 75 301-802

RECOMMAMDED PANEL CUTOUT DIMENSIONS FOR FRONT MOUNTING



20,65 pre-crimping position
18,20 after crimping position

1.27 mm pitch flat cable stranded, wire sizes : AWG 26 to 28

09 66 218 7500	PL3					Dat.	Name	 All Dim. in mm Orig. Size DIN A 4	D-sub, female, 15 poles, straight, IDC, through holes	Maßstab/ Scale 1 : 1
09 66 218 6500	PL2	EC03837	26-SEP-11	BH	Detail.	09/07/01	S.H.			
		EC01902	21-MAY-10	SC	Insp.	26-SEP-11	JB			
			29771	16-AVR-02	CV	Stand.				
			29756	19-MAR-02	CV					
part number	performance level		29697	09/07/01	S.H.	HARTING EURL F-95972 Paris			TB 09 66 218 x500	Blatt/ Page 1 / 1
			Mod.	Dat.	Name					