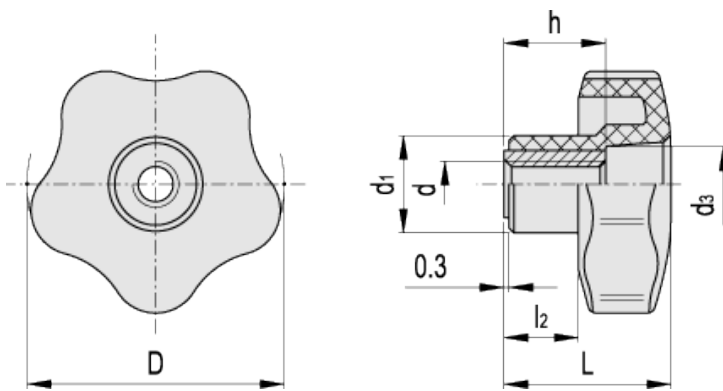


# VCT.FP

## Lobe knobs



ELESA Original design



Elesa Standards		Main dimensions					Mounting hole		Weight
Code	Description	D	L	d <sub>1</sub>	d <sub>3</sub>	l <sub>2</sub>	d <sub>6H</sub>	h	g
69847	VCT.32 FP-M5	32	23	15	10	10	M5	12	11
69848	VCT.32 FP-M6	32	23	15	10	10	M6	12	10
69849	VCT.32 FP-M8	32	23	15	10	10	M8	12	9
69897	VCT.40 FP-M6	40	27	17	12	12	M6	18	26
69898	VCT.40 FP-M8	40	27	17	12	12	M8	18	24
69899	VCT.40 FP-M10	40	27	17	12	12	M10	17	23
69956	VCT.50 FP-M8	50	32	19	15	14	M8	20	38
69957	VCT.50 FP-M10	50	32	19	15	14	M10	20	34
69958	VCT.50 FP-M12	50	32	19	15	14	M12	20	30
70016	VCT.63 FP-M8	63	37	22	19	16	M8	26	44
70017	VCT.63 FP-M10	63	37	22	19	16	M10	26	42
70018	VCT.63 FP-M12	63	37	22	19	16	M12	26	40
70067	VCT.74 FP-M12	74	43.5	26	17	22	M12	26	56
70068	VCT.74 FP-M14	74	43.5	26	17	22	M14	26	52
70069	VCT.74 FP-M16	74	43.5	26	17	22	M16	31	54



\* Complete with colour index, example: CA.VCT.40-C2



C9	C2	C3	C4	C5	C6		Cap for
Code						Description	
6900	6903	6904	6905	6906	6901	CA.VCT.32-*	VCT.32
6910	6913	6914	6915	6916	6911	CA.VCT.40-*	VCT.40
6920	6923	6924	6925	6926	6921	CA.VCT.50-*	VCT.50
6930	6933	6934	6935	6936	6931	CA.VCT.63-74-95-*	VCT.63-74-95

**Material**

High resilience polypropylene based (PP) technopolymer. Resistant to solvents, oils, greases and other chemical agents.

**Colour**

Black, matte finish.

**Standard execution**

Brass boss, threaded pass-through hole.

*Accessories on request*

Coloured centre caps (see table).



**STANDARD MACHINE ELEMENTS WORLDWIDE**

ELESA models all rights reserved in accordance with the law. Always mention the source when reproducing our drawings.