



NEOZED-FLUSH MOUNTING FUSE BASE MOLDED PLASTIC,
 D01 1-POLE TOUCH PROTECTION (BGV A2) ACCESS:
 ELEVATOR TERMINAL OUTGOING: ELEVATOR
 TERMINAL 16A,
 AC 400V/DC 250V

Similar to image

Technical data:

Design type		NEOZED fuse system
Type, explanations		NEOZED convenience fuse base made of molded plastic
Type, explanations / additionally		with touch protection BGV A3
Number of poles		1
Type of mounting		DIN rail
Operating current / rated value	A	16
Operating voltage / rated value	V	400
Material / of D fuse base		others
Product component / Cover		Yes
Size of the fallback-system / acc. to DIN EN 60269-1		D01
Service position (permissible)		variable, preferably vertically
Degree of protection / [not supplied - in accordance with DIN EN 60529]		IP20, with connected conductors

Certificates/approvals:

General Product Approval

Declaration of
Conformity

Test Certificates

[ROSTEST](#)



[Manufacturer](#)

[Manufacturer](#)

Further information:

Information- and Downloadcenter (Catalogs, Brochures,...)

<http://www.siemens.com/lowvoltage/catalogs>

Industry Mall (Online ordering system)

<http://www.siemens.com/lowvoltage/mall>

Service&Support (Manuals, Certificates, Characteristics, FAQs,...)

<http://support.automation.siemens.com/WW/view/en/5SG1301/all>

Image database (product images, 2D dimension drawings, 3D models, device circuit diagrams, ...)

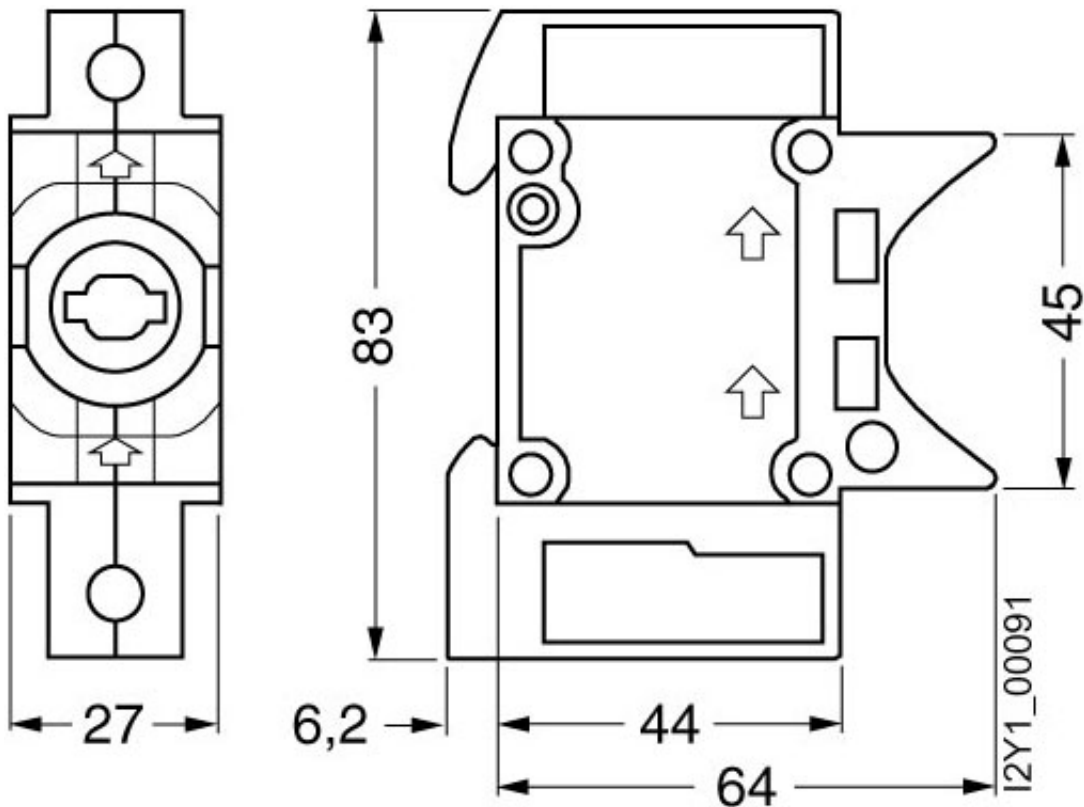
http://www.automation.siemens.com/bilddb/cax_en.aspx?mlfb=5SG1301

CAX-Online-Generator

<http://www.siemens.com/cax>

Tender specifications

[Datenorm GAEB81](#) [GAEB83](#) [RTF](#) [TXT](#)





last change:

Aug 26, 2011