

**3SE5212-0RV40 SAFETY POS. SWITCH W. SEPARATE**



SAFETY POS. SWITCH W. SEPARATE ACTUATOR, METAL ENCLOSURE, 31MM; EN50047; 1X(M20X1.5) SLOW-ACTION CONTACTS 1NO+1NC, 5 APPROACH DIRECTIONS, THE SUITABLE SEPARATE ACTUATOR 3SE5000-0AV0. HAS TO ORDERED SEPARATELY

General technical details:		
<b>product designation</b>		position switch with separate actuator
<b>Insulation voltage</b>		
• rated value	V	400
<b>Degree of pollution</b>		class 3
<b>Thermal current</b>	A	6
<b>Operating current</b>		
• at AC-15		
• at 24 V / rated value	A	6
• at 125 V / rated value	A	6
• at 230 V / rated value	A	3
• at DC-13		
• at 24 V / rated value	A	3
• at 125 V / rated value	A	0.55
• at 230 V / rated value	A	0.27
<b>Continuous current</b>		
• of the slow DIAZED fuse link	A	6
• of the quick DIAZED fuse link	A	10
• of the C characteristic circuit breaker	A	2
<b>Mechanical operating cycles as operating time</b>		
• typical		1,000,000
<b>Electrical operating cycles as operating time</b>		
• with contactor 3RH11, 3RT1016, 3RT1017, 3RT1024, 3RT1025, 3RT1026 / typical		10,000,000
• at AC-15 / at 230 V / typical		100,000

<b>Electrical operating cycles in one hour</b>		6,000
<ul style="list-style-type: none"> <li>with contactor 3RH11, 3RT1016, 3RT1017, 3RT1024, 3RT1025, 3RT1026</li> </ul>		
<b>Repeat accuracy</b>	mm	0.05
<b>Design of the contact element</b>		slow-action contacts
<b>Number of NC contacts</b>		1
<ul style="list-style-type: none"> <li>for auxiliary contacts</li> </ul>		
<b>Design of the switching function</b>		positive opening
<b>Number of NO contacts</b>		1
<ul style="list-style-type: none"> <li>for auxiliary contacts</li> </ul>		
<b>Resistance against vibration</b>		0.35 mm / 5g
<b>Resistance against shock</b>		30g / 11 ms
<b>Ambient temperature</b>		
<ul style="list-style-type: none"> <li>during operating</li> </ul>	°C	-25...+85
<ul style="list-style-type: none"> <li>during storage</li> </ul>	°C	-40...+90
<b>Product specification</b>		EN 50047
<ul style="list-style-type: none"> <li>for dimensions</li> </ul>		
<b>Width of the sensor</b>	mm	31
<b>material</b>		metal
<ul style="list-style-type: none"> <li>of the housing</li> </ul>		
<b>Material / of the housing / of the switch head</b>		plastic
<b>Design of the operating mechanism</b>		5 directions of approach
<b>Actuating speed</b>	mm/s / m/s	0.4...0.5
<b>Minimum actuating force / in activation direction</b>	N	20
<b>Protection class IP</b>		IP66/IP67
<b>Built in orientation</b>		any
<b>Cable gland version</b>		1x (M20 x 1.5)
<b>Design of the electrical connection</b>		screw-type terminals
<b>Item designation</b>		
<ul style="list-style-type: none"> <li>according to DIN 40719 extendable after IEC 204-2</li> </ul>		S
<ul style="list-style-type: none"> <li>according to DIN EN 61346-2</li> </ul>		B

#### Certificates/approvals:

General Product Approval			Test Certificates	other
GOST	UL	VDE	Special Test Certificate	Confirmation

#### Further information:

##### Information- and Downloadcenter (Catalogs, Brochures,...)

<http://www.siemens.com/industrial-controls/catalogs>

##### Industry Mall (Online ordering system)

<http://www.siemens.com/industrial-controls/mall>

##### CAX-Online-Generator

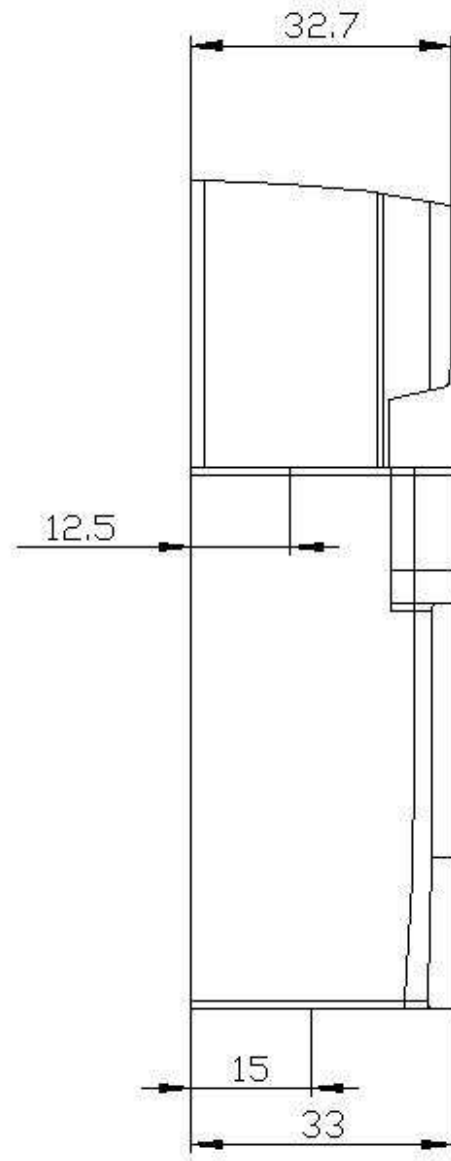
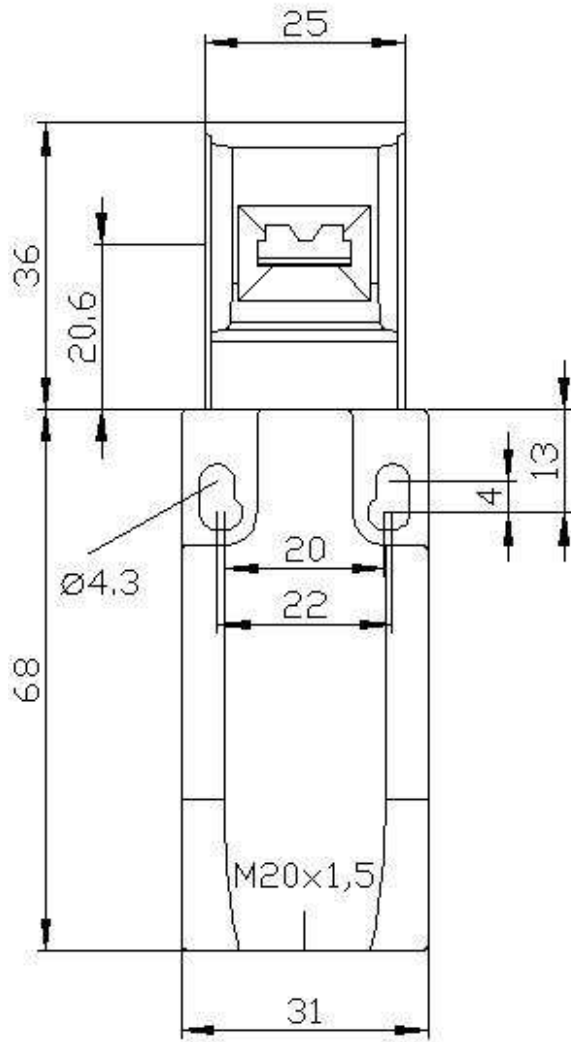
<http://www.siemens.com/cax>

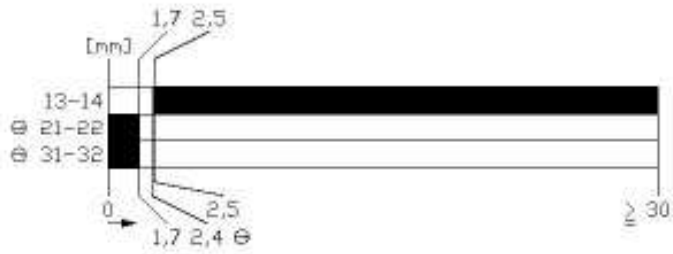
##### Service&Support (Manuals, Certificates, Characteristics, FAQs,...)

<http://support.automation.siemens.com/WWW/view/en/3SE5212-0RV40/all>

##### Image database (product images, 2D dimension drawings, 3D models, device circuit diagrams, ...)

[http://www.automation.siemens.com/bilddb/cax\\_en.aspx?mlfb=3SE5212-0RV40](http://www.automation.siemens.com/bilddb/cax_en.aspx?mlfb=3SE5212-0RV40)





**last change:**

Mar 12, 2012