

## mounting accessories BSN18

**TURCK**

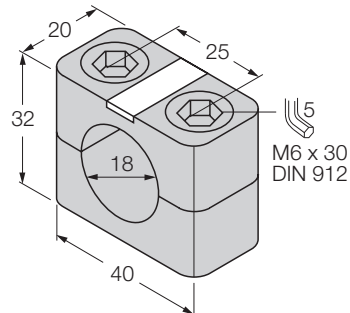
Industrial  
Automation

- fixing clamp M18 x 1
- plastic PBT-GF20

### general description

The sensor programme comprises inductive, magnetic-inductive, capacitive, photoelectric and ultrasonic sensors as well as pressure and flow controls.

A broad range of practice-oriented accessories ensure optimal adaption to your system.



<b>Type</b>	BSN18
Ident-No.	69472
<b>Housing</b>	accessories for threaded barrels, M18
Dimensions	20 x 40 x 32 mm
Housing material	plastic, PBT-GF20

**mounting accessories**  
**BSN18**

**TURCK**

Industrial  
Automation

• Edition: • 25.11.2008