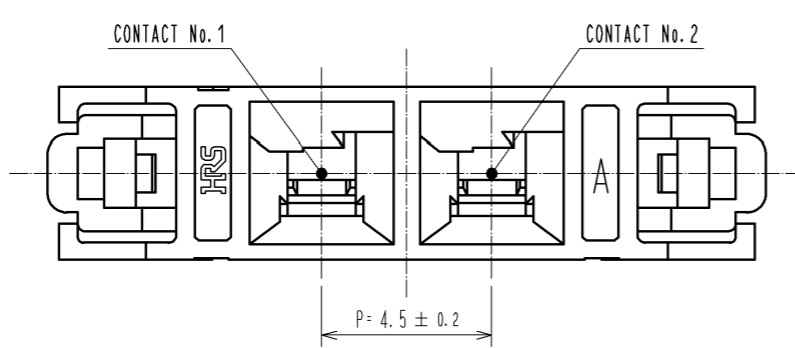
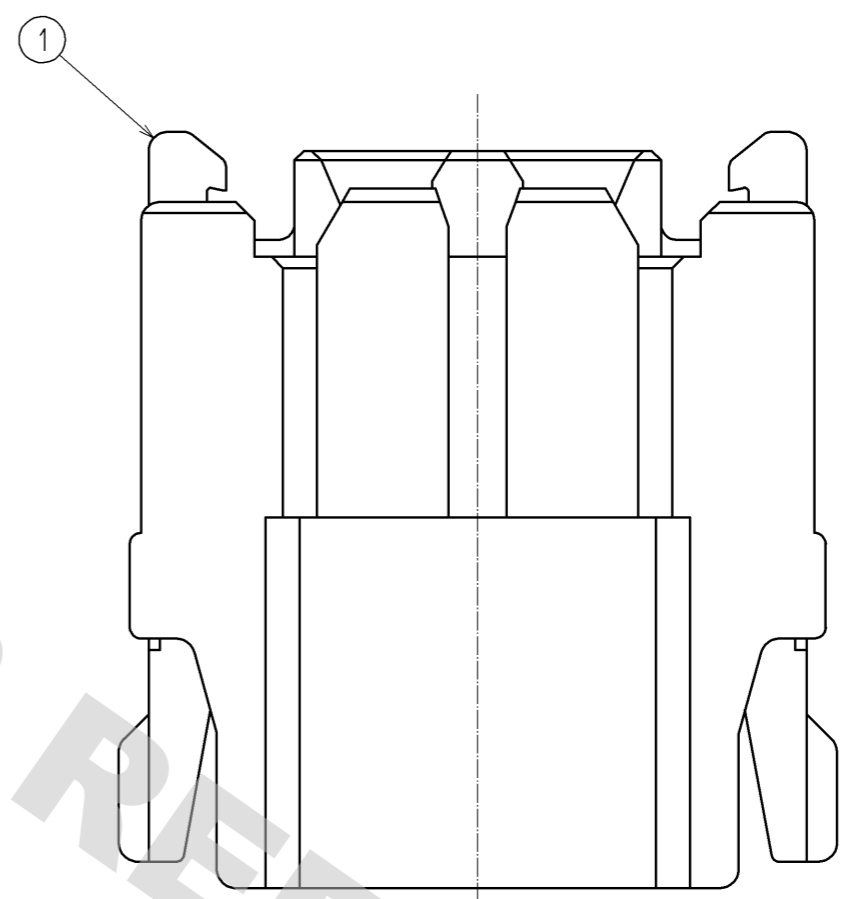
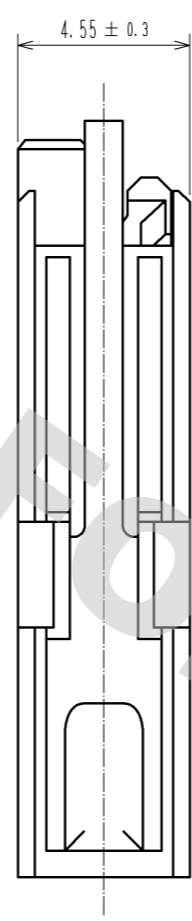
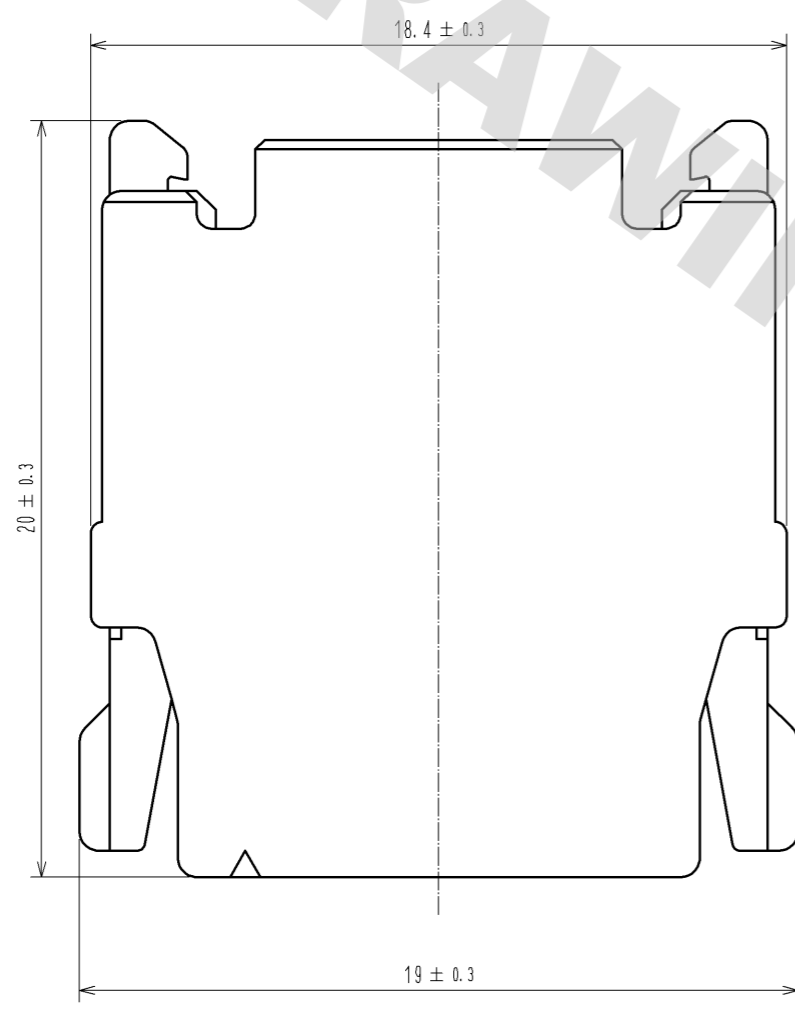
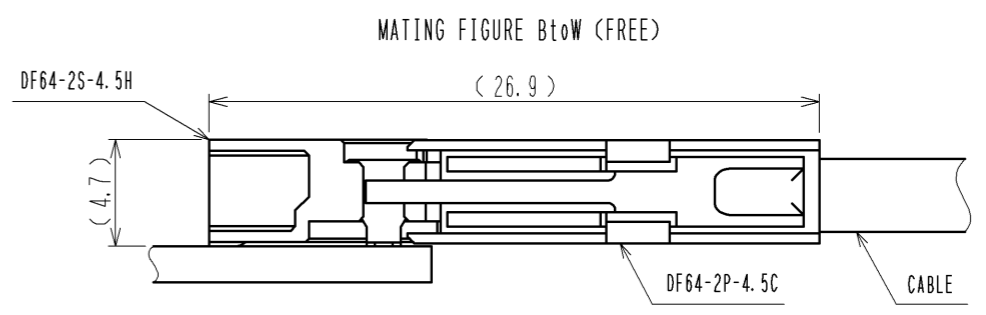
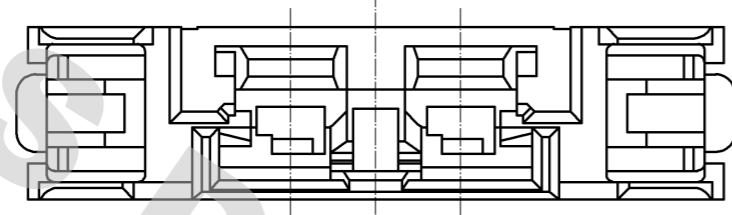


DRAWING FOR REFERENCE: This is subject to change without notice  
12/05/2013



NOTE 1. ( ) IS REFERENCE DIMENSION.  
 2. REFER TO THE DF64 SERIES MATING/UNMATING OPERATION INSTRUCTION MANUAL (ETAD-H0748) FOR THE OPERATING OF THE PRODUCT.  
 3. UL/c-UL (FILE NO. E52653) APPROVED PRODUCT.



1	LCP	NATURAL, UL94V-0
NO.	MATERIAL	FINISH, REMARKS

UNITS mm		SCALE 5 : 1	COUNT 1	DESCRIPTION OF REVISIONS DIS-H-008279	DESIGNED TS. MIYAKI	CHECKED OM. MIYAMOTO	DATE 13.11.06
HIROSE ELECTRIC CO., LTD.		APPROVED : KI. AKIYAMA	13.08.07	DRAWING NO. EDC3-347651-00			
		CHECED : OM. MIYAMOTO	13.08.07	PART NO. DF64-2P-4.5C			
		DESIGNED : TS. MIYAKI	13.08.07	CODE NO. CL667-1003-1-00			
		DRAWN : TS. MIYAKI	13.08.07			1/1	