

Sensor technologies → Proximity sensors

Sensor, Series ST6

► 6 mm groove ► with cable ► Plug, M8, 3-pin



00112027_3

Certificates	UL (Underwriters Laboratories)
Ambient temperature min./max.	-25 °C / +70 °C
Protection class according to EN 60529:2000	IP 65IP 67
Switching point precision [mm]	±0,1
Switching capacity	3 W / 3 VA
LED status display	Yellow
Vibration resistance	10 - 55 Hz, 1 mm
Shock resistance	30 g / 11 ms

Materials:

Housing	Polyamide
Cable	Polyurethane

	Type of contact	Cable length L	DC operating voltage min./max.	Operational voltage AC min./max.	DC switching current, max.	AC switching current, max.	Part No.
		[m]	[V]	[V]	[A]	[A]	
	Reed	0.3	10 / 30	10 / 30	0,13	0,13	0830100488
	electronic PNP	0.3	10 / 30	-	0.1	0.1	0830100489
	electronic NPN	0.3	10 / 30	-	0.1	-	0830100430
Part No.	Voltage drop U at I _{max}	Protective resistor for reed	Max. switching frequency	Operating current, not switched	Operating current, switched	Note	
	[V]	[Ω]	[kHz]	[mA]	[mA]		
0830100488	I [*] R _s	15	< 0,3	-	< 10	1)	
0830100489	≤ 2,5	-	< 1,0	< 20	< 30	2)	
0830100430	≤ 2,5	-	< 1,0	< 20	< 30	2)	

1) Protected against polarity reversal

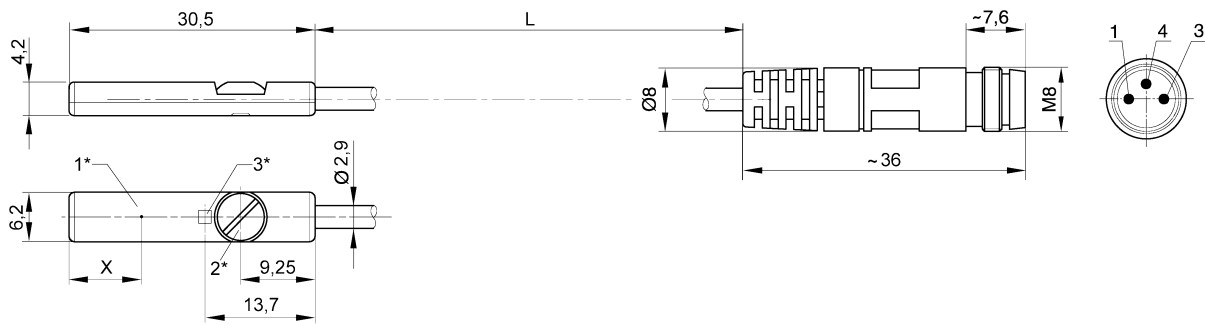
2) short circuit resistant; Protected against polarity reversal interfaces: Plug; M8; 3-pin

Sensor technologies → Proximity sensors

Sensor, Series ST6

▶ 6 mm groove ▶ with cable ▶ Plug, M8, 3-pin

Dimensions



1* = switching point 2* = clamping screw 3* = LED

L = cable length

X = electronic: 6 mm, Reed: 10 mm

Pin assignment: 1 = (+), 3 = (-), 4 = (OUT), EN 60947-5-2:1998

00111942_a