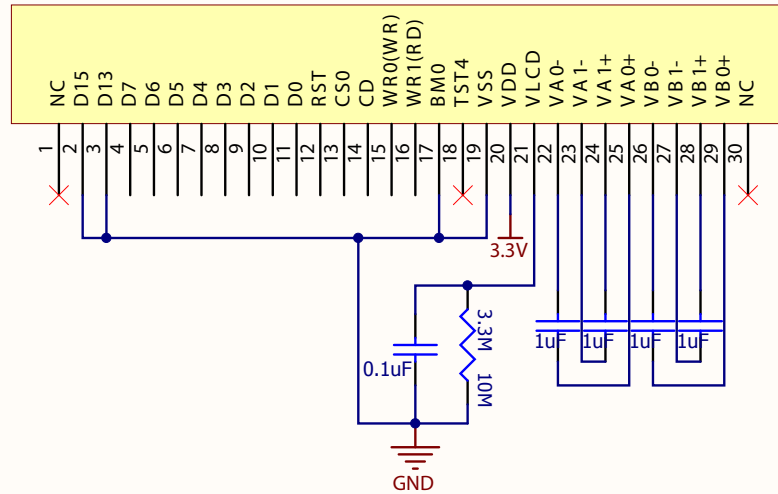


CI064-4073 FPC interface



CI064-4073 Test Circuit