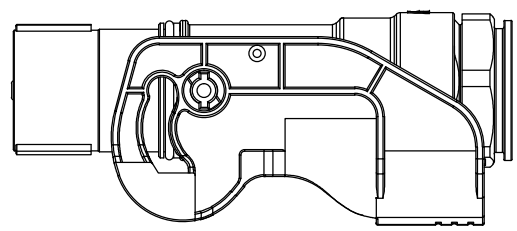
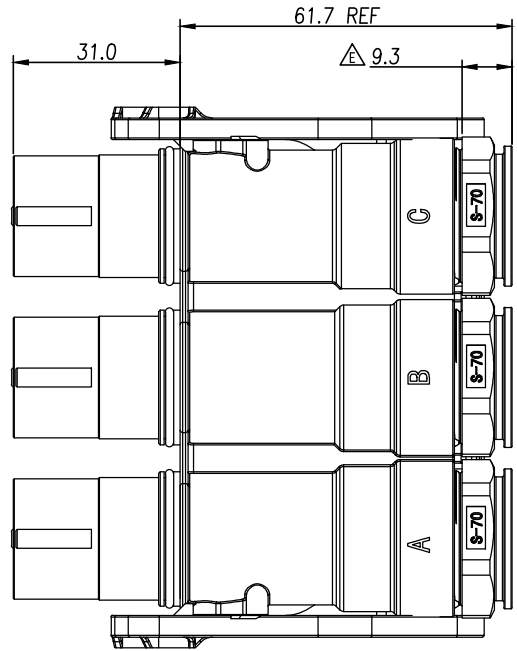
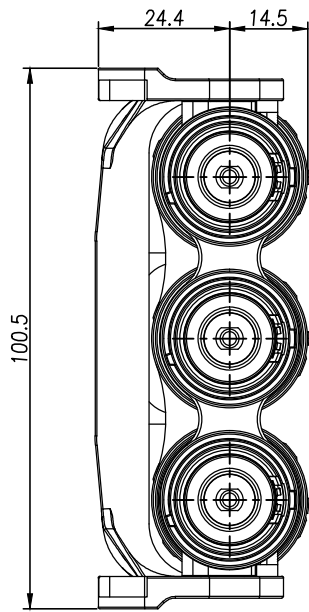
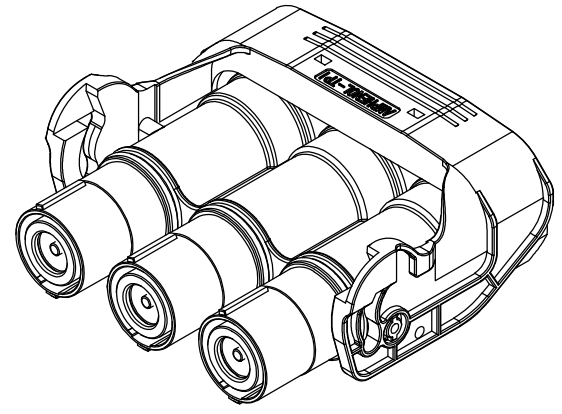


THIS DRAWING IS SUPPLIED FOR INFORMATION ONLY. DESIGN FEATURES, SPECIFICATIONS AND PERFORMANCE DATA SHOWN HEREON ARE THE PROPERTY OF THE AMPHENOL CORPORATION. NO RIGHTS OF REPRODUCTION ARE IMPLIED. ALL DIMENSIONS ARE SUBJECT TO NORMAL MANUFACTURING VARIATIONS.

Customer Drawing



REVISIONS						
REV	ZONE	ECO	DESCRIPTION	DATE	BY	APPR
A	--	--	INITIAL RELEASE	03/13/14	RW	EC
B	--	--	Updated	07/04/14	RW	EC
C	--	--	Add Touch Proof Pin	05/05/15	RW	EC
D	--	--	Rear nut increase 1mm, reduced inner diameter	09/08/15	RW	EC
E	--	--	更改尾盖	10/17/16	SW	RW



订购信息 Ordering Information

PL18	3	X	-	30	1	-	70
键位及颜色 Key		高压互锁 HVIL		线缆大小 Cable Size			
"X" Key		0, 不带互锁 No HVIL		"70"=70mm ²			
"Y" Key		1, 带互锁 With HVIL		"50"=50mm ²			
				"35"=35mm ²			

Standard Part List (With HVIL)

P/N	Model NO.	Polarization
AC-HA001108	PL183X-301-35	X
AC-HA001109	PL183Y-301-35	Y
AC-HA001110	PL183X-301-50	X
AC-HA001111	PL183Y-301-50	Y
AC-HA001112	PL183X-301-70	X
AC-HA001113	PL183Y-301-70	Y

Standard Part List (With Out HVIL)

P/N	Model NO.	Polarization
AC-HA001114	PL183X-300-35	X
AC-HA001115	PL183Y-300-35	Y
AC-HA001116	PL183X-300-50	X
AC-HA001117	PL183Y-300-50	Y
AC-HA001118	PL183X-300-70	X
AC-HA001119	PL183Y-300-70	Y

规格参数 (Spec.):

1. 工作温度 Operating temperature: -40° C~+125° C.
2. 额定电流 Current rating (Connector Only): 300 A.
3. 额定电压 Operating voltage: 1000 VDC.
4. 耐电压 Dielectric withstanding voltage: 5000 VDC.
5. 防护等级 Protection class: IP67 & IP2X.
6. 电磁屏蔽 Shielding.
7. 机械寿命 Mating cycle: 50 Min.
8. 带自动二次锁扣 Automatic secondary lock.
9. 带高压互锁 Electrical interlock (HVIL).

	Amphenol Technical Products International GZ				
	第三角投影 THIRD ANGLE PROJECTION	页面 SHEET	幅面 SIZE	版次 REV.	比例 SCALE
签名 SIGNATURE	日期 DATE	UNLESS OTHERWISE SPECIFIED			DWG NO: PL183-300
制图 DRAWN	RW	1) All dimensions are in metric (mm). 2) Tolerances are as follows: 0 PL DEC ±1.00 1 PL DEC ±0.50 2 PL DEC ±0.20			CUST PART #: N/A
审核 CHECKED	GK	Angles ±1°			CUST REV. -
批准 APPROVAL	EC				