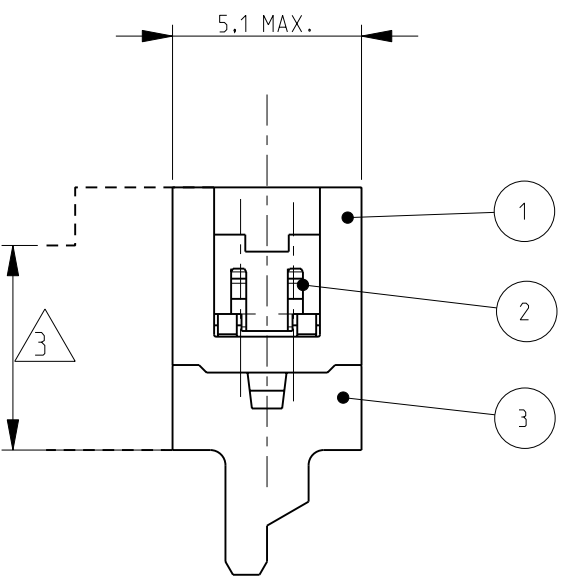
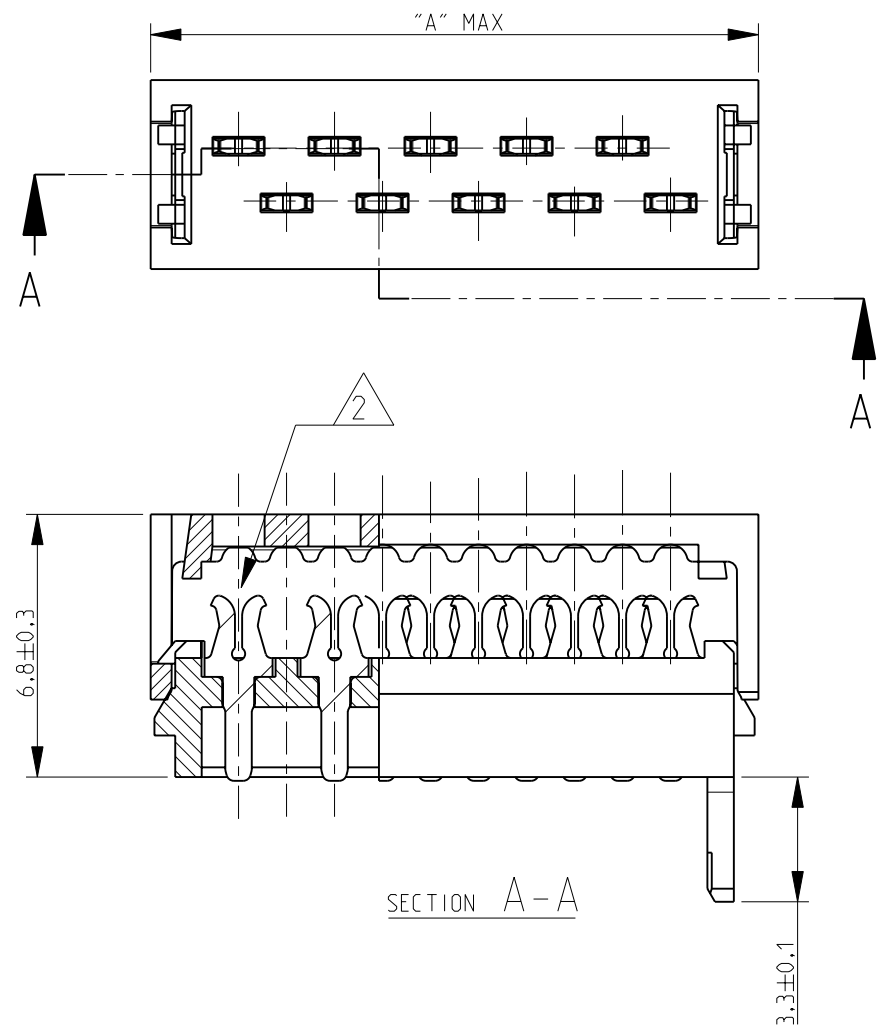
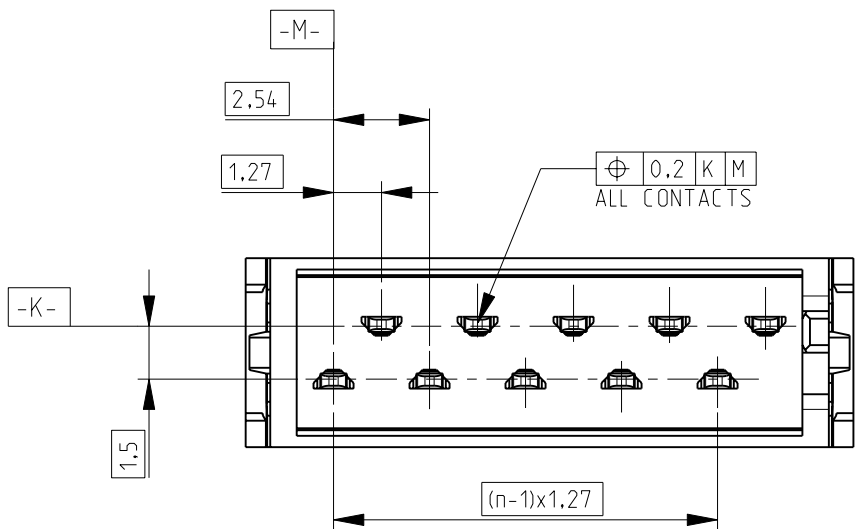
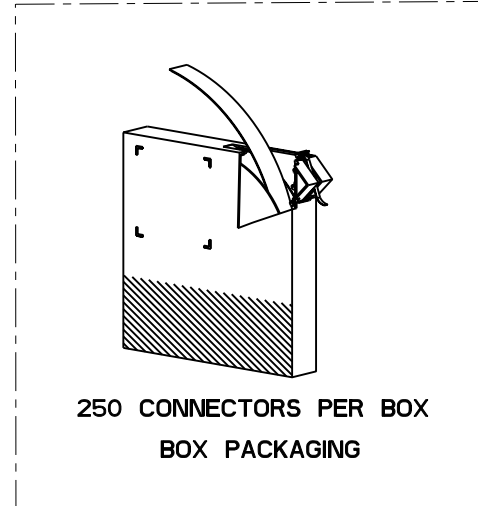
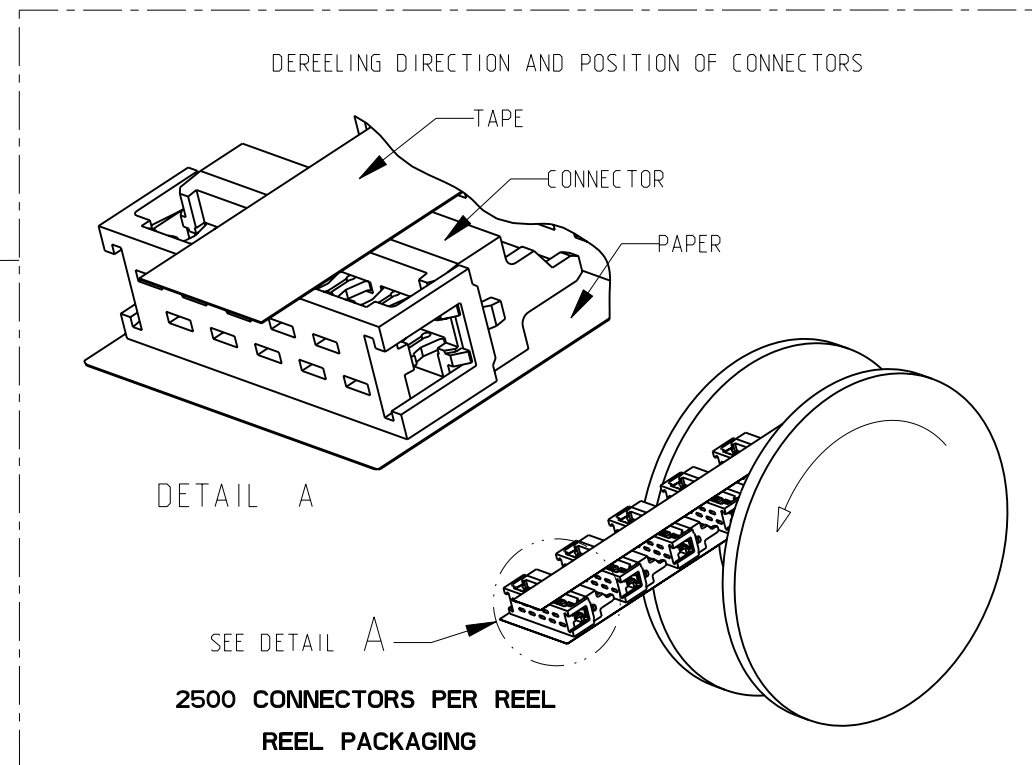


THIS DRAWING IS UNPUBLISHED. RELEASED FOR PUBLICATION  
 © COPYRIGHT - BY - ALL RIGHTS RESERVED.

| LOC | DIST | REVISIONS   |                               |           |      |     |
|-----|------|-------------|-------------------------------|-----------|------|-----|
| P   | LTR  | DESCRIPTION | DATE                          | DWN       | APVD |     |
| H   | -    | U1          | REVISED PER ECO-11-005027     | 23MAR2011 | RK   | HMR |
|     |      | U2          | DIM "A" MAX ADDED IN TOP VIEW | 21-07-11  | SP   | RP  |



| PART NUMBER BOX PACKAGING | PART NUMBER REEL PACKAGING | NO OF POS "n" | DIMENSION "A" MAX |
|---------------------------|----------------------------|---------------|-------------------|
| 7-215083-4                | 215083-4                   | 4             | 8.6               |
| 7-215083-6                | 215083-6                   | 6             | 11.1              |
| 7-215083-8                | 215083-8                   | 8             | 13.6              |
| 8-215083-0                | 1-215083-0                 | 10            | 16.2              |
| 8-215083-2                | 1-215083-2                 | 12            | 18.7              |
| 8-215083-4                | 1-215083-4                 | 14            | 21.3              |
| 8-215083-6                | 1-215083-6                 | 16            | 23.8              |
| 8-215083-8                | 1-215083-8                 | 18            | 26.3              |
| 9-215083-0                | 2-215083-0                 | 20            | 28.9              |
| 9-215083-4                | 2-215083-4                 | 24            | 34.0              |



| FINISH                  | MATERIAL                     | DESCRIPTION  | ITEM |
|-------------------------|------------------------------|--------------|------|
| --                      | GLASS FILLED POLYESTER (RED) | HOUSING      | 3    |
| TIN OVER NICKEL PLATING | PHOPOHOR BRONZE              | MALE CONTACT | 2    |
| --                      | GLASS FILLED POLYESTER (RED) | COVER        | 1    |

- NOTES:
- SHOWN IS A 10 POSITION CONNECTOR
  - FOR FLAT RIBBON CABLE REQUIREMENTS. SEE APPLICATION SPEC 114-19016.
  - CONNECTOR-HEIGHT AFTER CABLE TERMINATION 5.1 mm AVERAGE. DEPENDING ON PROCESSING. SEE APPLICATION SPEC 114-19016.

THIS DRAWING IS A CONTROLLED DOCUMENT.

|                    |  |                            |  |
|--------------------|--|----------------------------|--|
| DIMENSIONS: mm     | TOLERANCES UNLESS OTHERWISE SPECIFIED: | DWN P.V. Tongeren          | TE Connectivity<br>Micro-MaTch<br>MALE-ON-WIRE CONNECTOR |
|                    | 0 PLC ±                                | CHK H SPELDE 24-08-01      |  |
|                    | 1 PLC ±                                | APVD H SPELDE 24-08-01     |  |
|                    | 2 PLC ±                                | PRODUCT SPEC 108-19052     |  |
| MATERIAL SEE TABLE | FINISH SEE TABLE                       | APPLICATION SPEC 114-19016 | RESTRICTED TO  |
|                    |  | WEIGHT -                   | SIZE A3 CAGE CODE 00779 DRAWING NO C-215083              |
| CUSTOMER DRAWING   |  |                            | SCALE 5:1 SHEET 1 OF 1 REV U2                            |