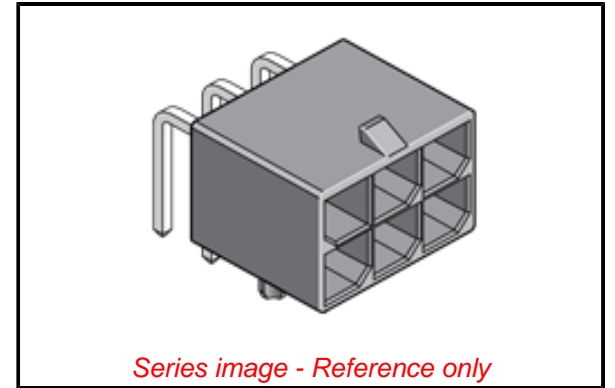


PLEASE CHECK WWW.MOLEX.COM FOR LATEST PART INFORMATION

Part Number: [0768250002](#)
Status: **Active**
Overview: [Mega-Fit Power Connectors](#)
Description: [Mega-Fit Right-Angle Header, 2 Circuits, Tin \(Sn\) Plating, UL 94 V-0, Tray](#)

Documents:

3D Model	Application Specification AS-76823-100-001 (PDF)
Drawing (PDF)	Packaging Specification PK-76825-0000 (PDF)
Product Specification PS-76823-100-001 (PDF)	RoHS Certificate of Compliance (PDF)
Product Specification TS-76823-100-001 (PDF)	Product Literature (PDF)
Product Specification TS-76825-001-001 (PDF)	



Agency Certification

CSA	LR19980
UL	E29179

General

Product Family	PCB Headers
Series	76825
Application	Power, Wire-to-Board
Overview	Mega-Fit Power Connectors
Product Literature Order No	987650-5401
Product Name	Mega-Fit
UPC	887191453835

Physical

Breakaway	No
Circuits (Loaded)	2
Circuits (maximum)	2
Color - Resin	Black
First Mate / Last Break	No
Flammability	94V-0
Glow-Wire Capable	Yes
Keying to Mating Part	Yes
Lock to Mating Part	Yes
Mated Height	16.78mm
Material - Metal	Copper
Material - Plating Mating	Tin
Material - Plating Termination	Tin
Material - Resin	High Temperature Thermoplastic
Net Weight	1.935/g
Number of Rows	2
Orientation	Right Angle
PCB Locator	Yes
PCB Retention	Yes
PCB Thickness - Recommended	1.57mm, 2.36mm
Packaging Type	Tray
Pitch - Mating Interface	5.70mm
Pitch - Termination Interface	5.70mm
Plating min - Mating	1.524µm
Plating min - Termination	1.270µm
Polarized to Mating Part	Yes
Polarized to PCB	Yes
Shrouded	Yes
Surface Mount Compatible (SMC)	Yes
Temperature Range - Operating	-40° to +105°C
Termination Interface: Style	Through Hole

EU ELV

Not Relevant

EU RoHS

Compliant

REACH SVHC

Not Contained Per -
ED/61/2018 (27 June
2018)

Halogen-Free

Status

Low-Halogen

For more information, please visit [Contact US](#)

China ROHS

ELV

RoHS Phthalates

China RoHS

Green Image

Not Relevant

Not Contained

Search Parts in this Series

[76825 Series](#)

Mates With

Mega-Fit Male Crimp Housing [171692](#) ,
[170001](#)

Unmated Height 14.53mm

Electrical

Current - Maximum per Contact 23.0A

Voltage - Maximum 600V

Solder Process Data

Duration at Max. Process Temperature (seconds) 030

Lead-free Process Capability SMC&WAVE

Max. Cycles at Max. Process Temperature 001

Process Temperature max. C 260

Material Info

Reference - Drawing Numbers

Application Specification AS-76823-100-001

Packaging Specification PK-76825-0000

Product Specification PS-76823-100-001, TS-76823-100-001,

TS-76825-001-001

Sales Drawing SD-76825-0100-000

Symbol/Footprint Data SYM-76825-0002

This document was generated on 09/21/2018

PLEASE CHECK WWW.MOLEX.COM FOR LATEST PART INFORMATION