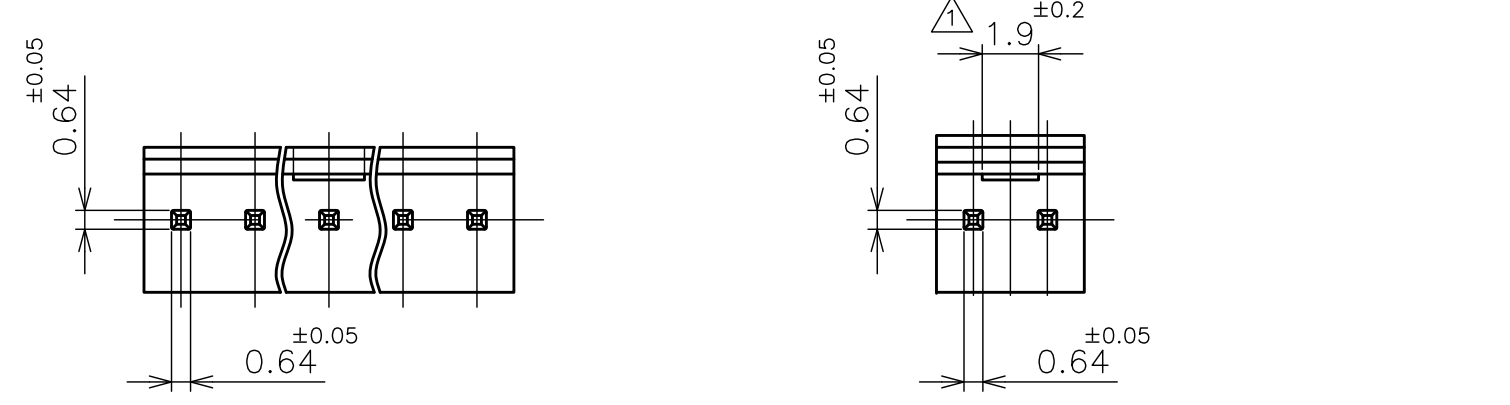


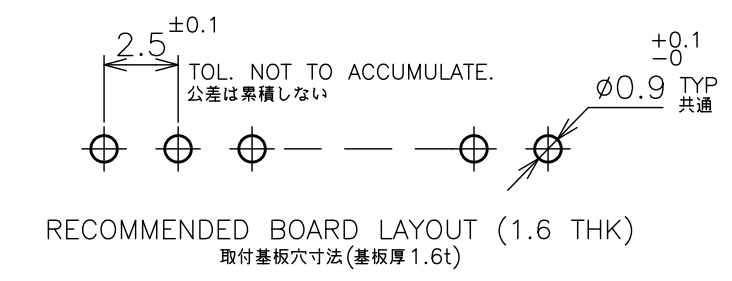
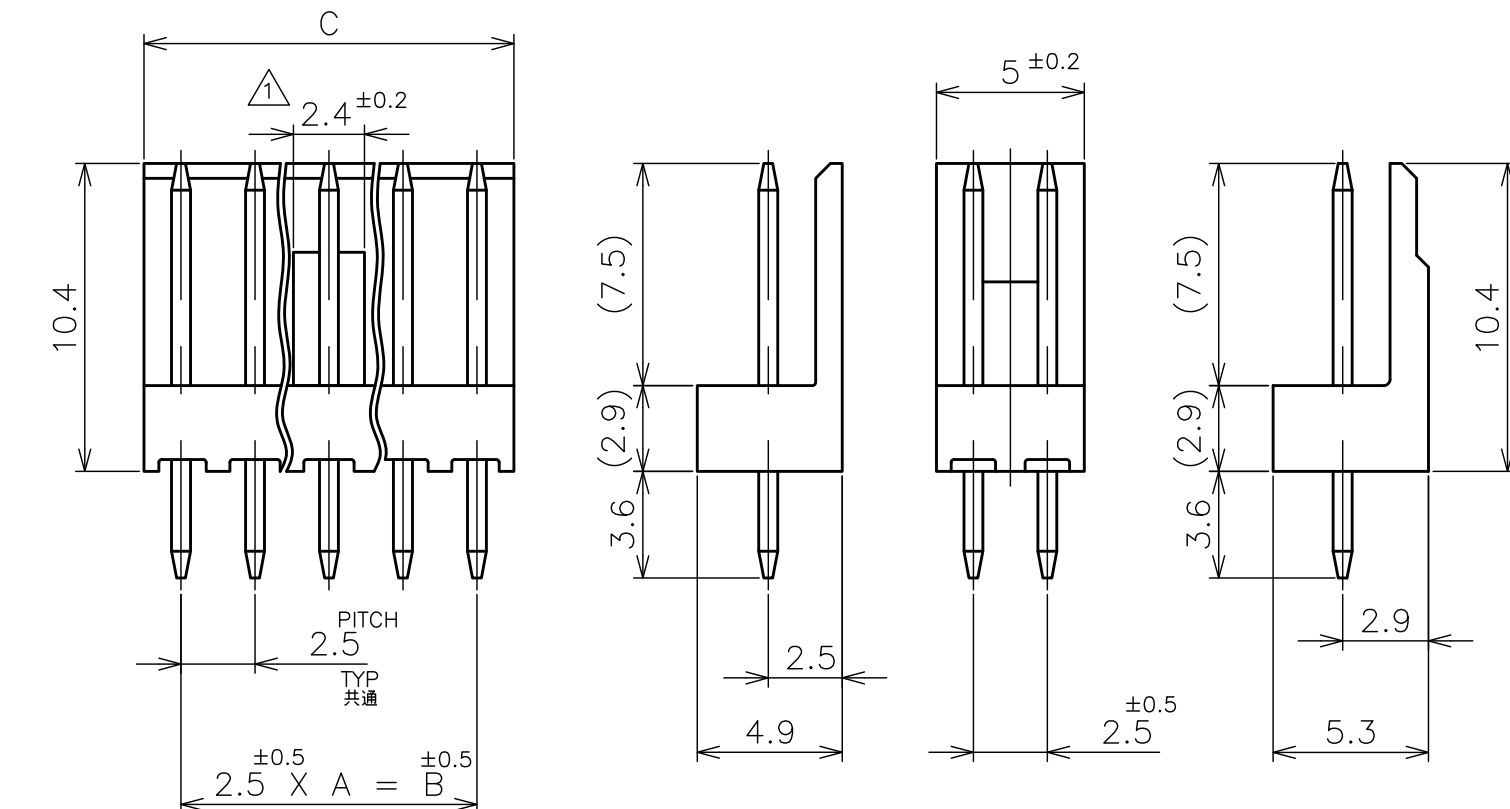
THIS DRAWING IS UNPUBLISHED. RELEASED FOR PUBLICATION MAY, 1987.
 © COPYRIGHT 1977 By - ALL RIGHTS RESERVED.

LOC	DIST	REVISIONS					
J		P	LTR	DESCRIPTION	DATE	DWN	APVD
		Y2		REVISED (ECR-13-017256)	06MAR2014	BW	VP



① LOCKING HOLE IS PLACED ON THE CENTER OF POST HEADER.
 ② MANUFACTURED BY AMP-BRASIL ONLY

① ロッキング凹部位置は長手方向の中央。
 ② AMP-ブラジル製造品 (AMP-J非製造品)



37.5	35.0	14	15	9-171825-5	7-171825-5	5-171825-5	3-171825-5	1-171825-5
32.5	30.0	12	13	9- -3	7- -3	5- -3	3- -3	1- -3
27.5	25.0	10	11	9- -1	7- -1	5- -1	3- -1	1- -1
30.0	27.5	11	12	9- -2	7- -2	5- -2	3- -2	1- -2
25.0	22.5	9	10	9- -0	7- -0	5- -0	3- -0	1- -0
22.5	20.0	8	9	8- -9	6- -9	4- -9	2- -9	-9
20.0	17.5	7	8	8- -8	6- -8	4- -8	2- -8	-8
17.5	15.0	6	7	8- -7	6- -7	4- -7	2- -7	-7
15.0	12.5	5	6	8- -6	6- -6	4- -6	2- -6	-6
12.5	10.0	4	5	8- -5	6- -5	4- -5	2- -5	-5
10.0	7.5	3	4	8- -4	6- -4	4- -4	2- -4	-4
7.5	5.0	2	3	8- -3	6- -3	4- -3	2- -3	-3
図示		2	8-171825-2	6-171825-2	4-171825-2	2-171825-2	171825-2	
±0.2 C	±0.5 B	A	NO OF POS 極数	RED 赤色	GREEN 緑色	BLUE 青色	BLACK 黒色	NATURAL 自然色
PART NUMBER 型番								

THIS DRAWING IS A CONTROLLED DOCUMENT.

DIMENSIONS: 単位: 耗 mm

TOLERANCES UNLESS OTHERWISE SPECIFIED: 一般公差

0 PLC	± 0.3
1 PLC	± 0.3
2 PLC	± 0.3
3 PLC	± 0.3
4 PLC	± 0.3
ANGLES	±

MATERIAL 材料 HSG : 66NYLON UL94V-0 POST: BRASS

FINISH 仕上 TIN-PLATE 0.8um. MIN. ALL OVER NICKEL 0.5um MIN. UNDERPLATED

DWN T.DOI 14MAY77
CHK H.TAGUCHI 14MAY77
APVD H.TAGUCHI 14MAY77

NAME 名称
PRODUCT SPEC 製品規格
APPLICATION SPEC 取付適用規格

WEIGHT

CUSTOMER DRAWING

STE TE Connectivity

POST HEADER ASSY (VERTICAL)
AMP EI SERIES CONNECTOR

SIZE A3 CAGE CODE 00779 DRAWING NO 171825 RESTRICTED TO

SCALE 尺度 4:1 SHEET 1 OF 1 REV Y2