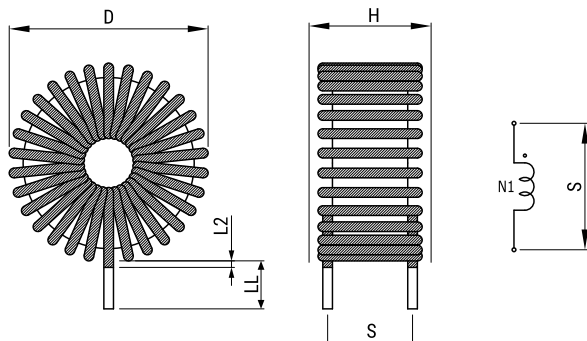


KEMET Part Number: SN5-700
(UALSN570000000)

KEMET, SN, AC Line Filters, Normal Mode, 140 uH



Dimensions

D	13mm MAX
H	8mm MAX
LL	20mm +/-2mm
S	6mm NOM
L2	1.5mm MAX

Packaging Specifications

Packaging:	Bulk
Weight:	2.6 g

General Information

Series:	SN
Style:	Through-Hole
Features:	Compact Size
RoHS:	Yes
Miscellaneous:	Temperature Rise Maximum: 25 K

Specifications

Inductance:	140 uH (0.1 MHz)
Current:	900 mA
Temperature Range:	-25/+105°C
DC Resistance:	0.25 mOhms