



Modular Shelving System Accessories **GB**

Instruction Leaflet

GB **RS Stock No.**

519-510, 519-532, 519-554,
519-576, 519-582, 519-598, 519-605

Bin front (flat)

- Bin front must be fitted before associated shelf.
- Insert 4 shelf locking clips.
- Place bin front over clips as shown.
- Locate shelf.
- Retain using cladding clips.

① View on front of bay

A. Shelf
B. Bin front
C. Upright (frame)
D. Upright
E. Cladding clip
F. Shelf locking clip

① Push in
② Rotate 90°

Dividers (full height)

- Note correct way round - see sketch.
- Locate top tabs in shelf underside (shelves must be located at the correct pitch).
- Swing into position and locate bottom tabs in shelf slots.

② View on front of bay

A. Upright (frame)
B. Divider
C. Shelf
D. Front

Dividers (part height)

- Note correct way round - see sketch.
- Locate tabs in shelf slot.
- Push in plastic plug as shown.

③ View on front of bay

A. Upright (frame)
B. Divider
C. Shelf
D. Front
E. Plastic plug

Louvered panel kits

Note: Positions for fitting retainer brackets to frames (figure 4). The retainer brackets can be fitted either way up, this alters the position of the captive nuts (figure 5).

Assemble retainer brackets to frame (figure 6).

Attach louvered panel to retainer brackets, assemble all bolts loosely then fully tighten.

Important note:

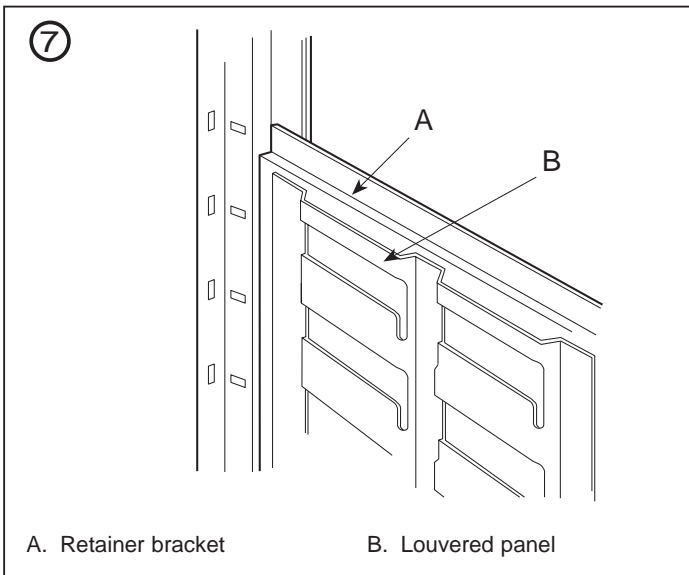
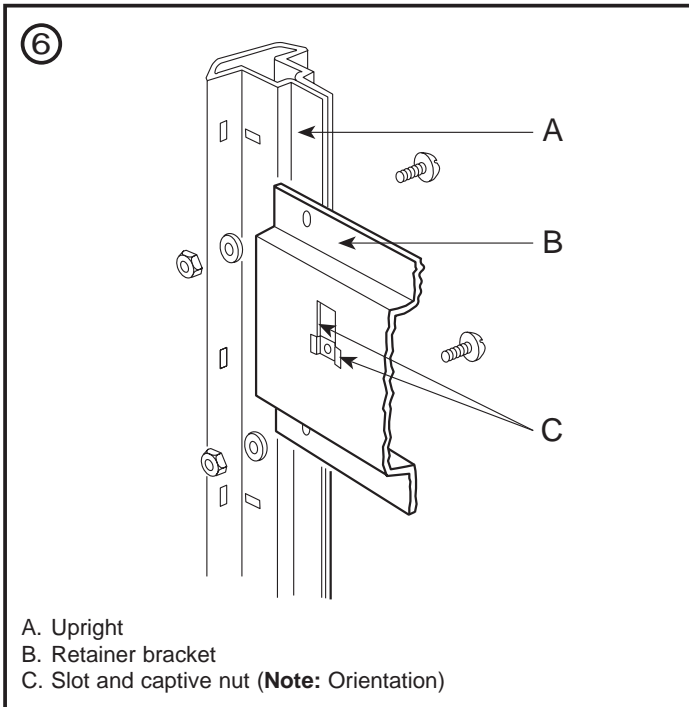
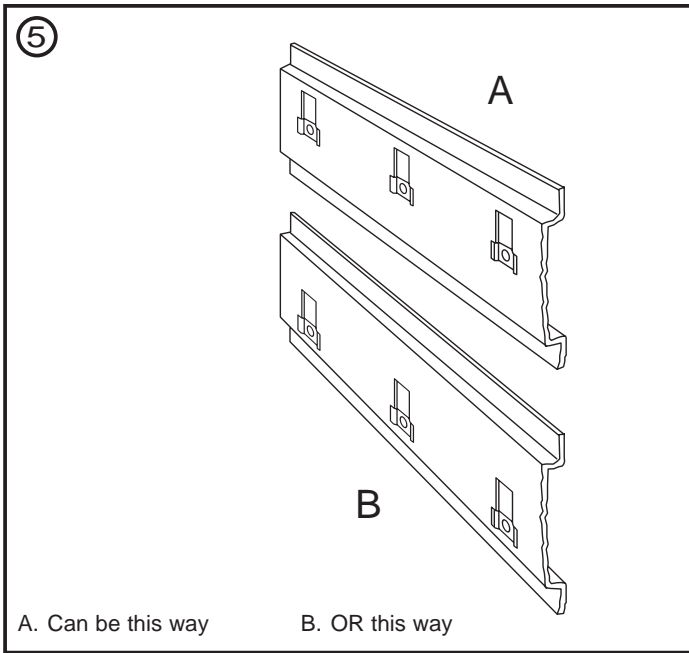
Before fitting a louvered panel kit to a 2100mm high, fully clad frame, check for correct orientation.

i.e. The position of the 2nd rivet used to retain the cladding **MUST** be 350mm above the floor (see figure 4).

④

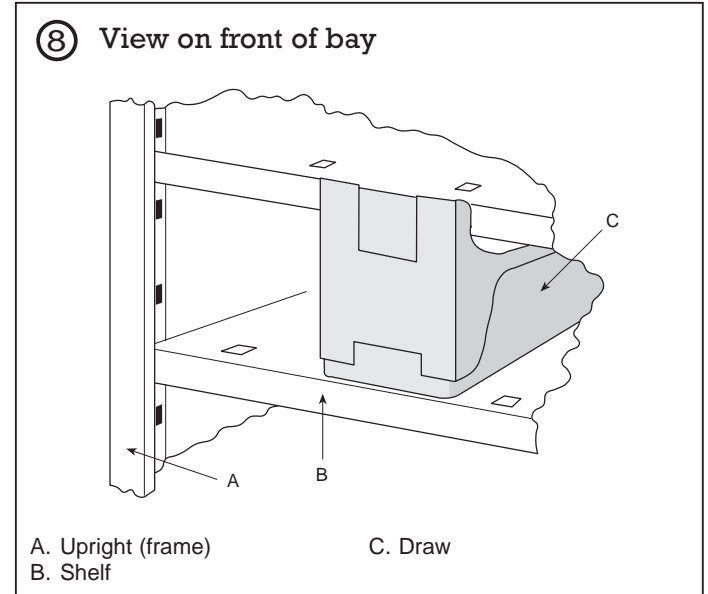
2100
400
500
500
200
A
350

A. Position of 2nd rivet



Drawer units

- Locate shelf locking clips in frame upright 150mm apart.
- Fit shelves, distance between shelves will be 115mm.
- Fit drawer units on shelf.



RS Components shall not be liable for any liability or loss of any nature (howsoever caused and whether or not due to RS Components' negligence) which may result from the use of any information provided in **RS** technical literature.