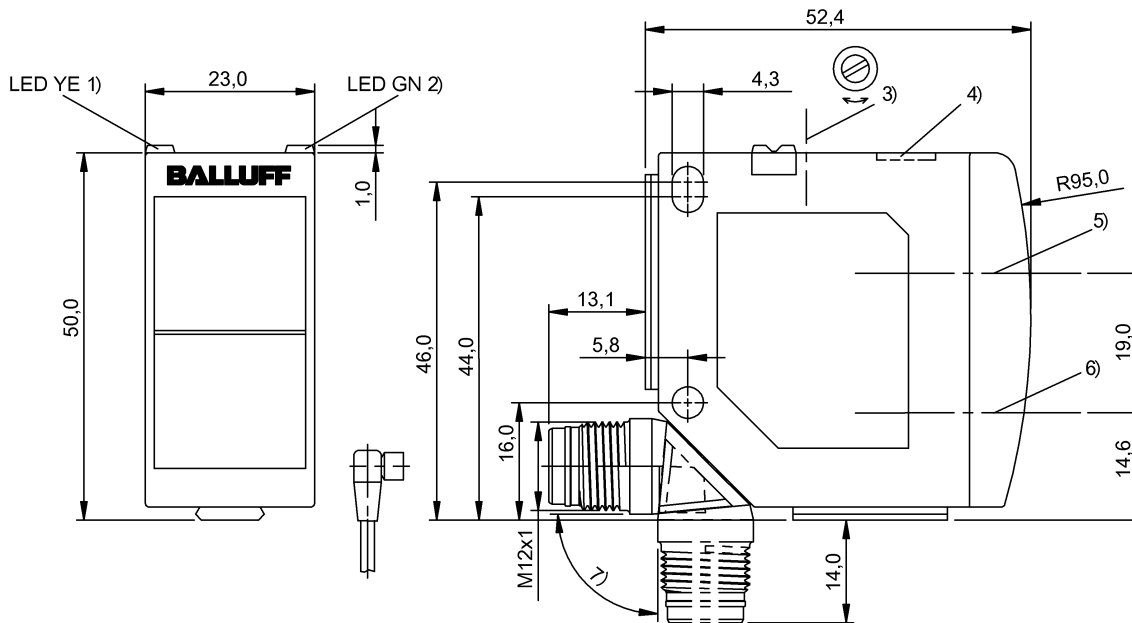


## BOS 23K-GI-RH10-S4 BOS017A



1) Output function/Error 2) Operating voltage 3) Sn 4) Bar display switching distance 5) Optical axis receiver 6) Optical axis emitter 7) rotatable 270°



### Display/Operation

Adjuster	Adjusting screw (1x)
Setting	Rated switching distance (Sn)

Switching frequency	600 Hz
Turn-off delay toff max.	0.83 ms
Turn-on delay ton max.	0.83 ms
Utilization category	DC-13
Voltage drop Ud max. at Ie	2 V

### Electrical connection

Connection	M12x1-Connector, 4-pole, A-coded
Polarity reversal protected	yes
Short-circuit protection	yes

### Environmental conditions

Ambient temperature	-20...60 °C
IP rating per DIN 40050	IPx9K
Protection type IEC 60529	IP6x

### Electrical data

Baud rate	38.4 kBaud
Border range energetic	1200 mm
MTTF (40 °C)	466 a
No-load current I <sub>o</sub> max. at U <sub>e</sub>	30 mA
Operating voltage U <sub>b</sub>	18...30 VDC
Protected against miswiring	yes
Rated operating current I <sub>e</sub> DC	100 mA
Rated operating voltage U <sub>e</sub> DC	24 V
Ready delay t <sub>v</sub> max.	300 ms
Residual current I <sub>r</sub> max.	50 µA

### Functional safety

Diagnostic coverage	0.0 %
Functional safety	no
Mission Time	10 a

### General data

Approval/Conformity	CE Ecolab cULus
Basic standard	IEC 60947-5-2
Series	23K

## BOS 23K-GI-RH10-S4 BOS017A

Style Square  
Connection can be rotated

### Material

Housing material PC  
ABS  
Material sensing surface PMMA

### Mechanical data

Dimension 23 x 51 x 52.4 mm  
Fastening detail Screw M4  
Tightening torque max. 1.5 Nm

### Optical data

Ambient light max. 5000 Lux  
Beam characteristic Focus, typical at 500 mm  
LED group per IEC 62471 Exempt Group  
Light type LED Red light  
Special optical feature Background suppression  
Wave length 640 nm

### Output/Interface

Input function Light-on/dark-on  
Interface IO-Link  
Process data cycle min. 5 ms  
Switching output PNP/NPN Normally open/  
Normally closed (NO/NC)

### Range/Distance

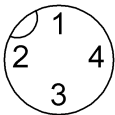
Range 1.2 m  
Rated operating distance Sn 1.2 m, Adjustable  
Ripple max. (% of Ue) 10 %

### Remarks

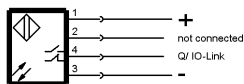
Order accessories separately.  
For additional information, refer to user's guide.  
Reference object (target): gray card, 200 x 200, 90 % remission, axial approach.  
The sensor is functional again after the overload has been eliminated.  
For further information on MTTF/B10d, please refer to the MTTF / B10d Certificate.

Specification of the MTTF value and the B10d value do not represent any binding quality and/or life expectancy guarantees.

### Connector view



### Wiring Diagram



### Symbols for Optoelectronic Sensors

