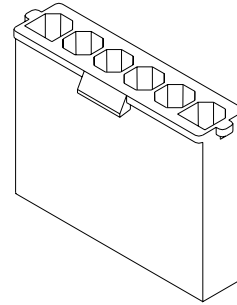


molex® 7.50mm (.295") Pitch Sabre™ Wire-to-Wire Plug

43680 Single Row



FEATURES AND SPECIFICATIONS

Features and Benefits

- Patented new integral Terminal Position Assurance (TPA) on mated male and female terminal
- Virtually eliminates terminal backout
- Anti-tangle latch protects harness wires
- Polarized housing assures proper mating
- Terminals are fully isolated in housing
- Positive latch reduces accidental disengagement from receptacle

Reference Information

Product Specification: PS-44441-9999
 Packaging: Bag
 UL File No.: E29179 and UL1950
 CSA File No.: LR19980
 Use With: 43178 terminal
 Mates With: 44441 receptacle
 Designed In: Inches

Electrical

Voltage: 1000V
 Current: 18A
 Contact Resistance: 10mΩ max.
 Dielectric Withstanding Voltage: 6000V
 Insulation Resistance: 1000 MΩ min.

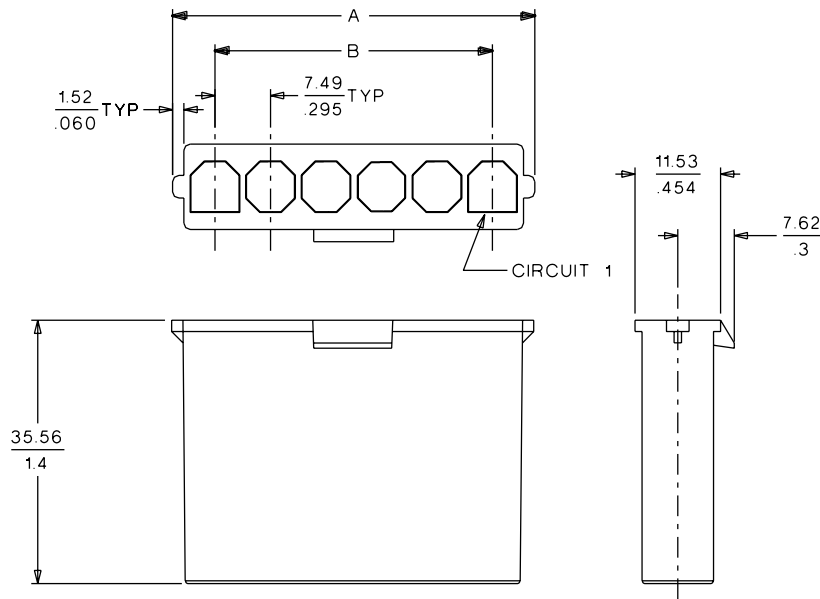
Mechanical

Contact Insertion Force: 2 lb max.
 Contact Retention to Housing: 20 lb min.
 Wire Pull-Out Force: 20 lb min.
 Mating Force: 3 lb max.
 Unmating Force: 1 lb min.
 Normal Force: 3 lb nominal
 Durability: 25 cycles

Physical

Housing: Nylon, UL 94V-0
 Temperature: -40 to +130°C

Power Connectors



ORDERING INFORMATION AND DIMENSIONS

Circuits	Order No.	Dimension	
		A	B
2	43680-2002	18.92 (.745)	7.49 (.295)
3	43680-2003	26.42 (1.040)	14.99 (.590)
4	43680-2004	33.91 (1.335)	22.48 (.885)
5	43680-2005	41.40 (1.630)	29.97 (1.180)
6	43680-2006	48.90 (1.925)	37.47 (1.475)