



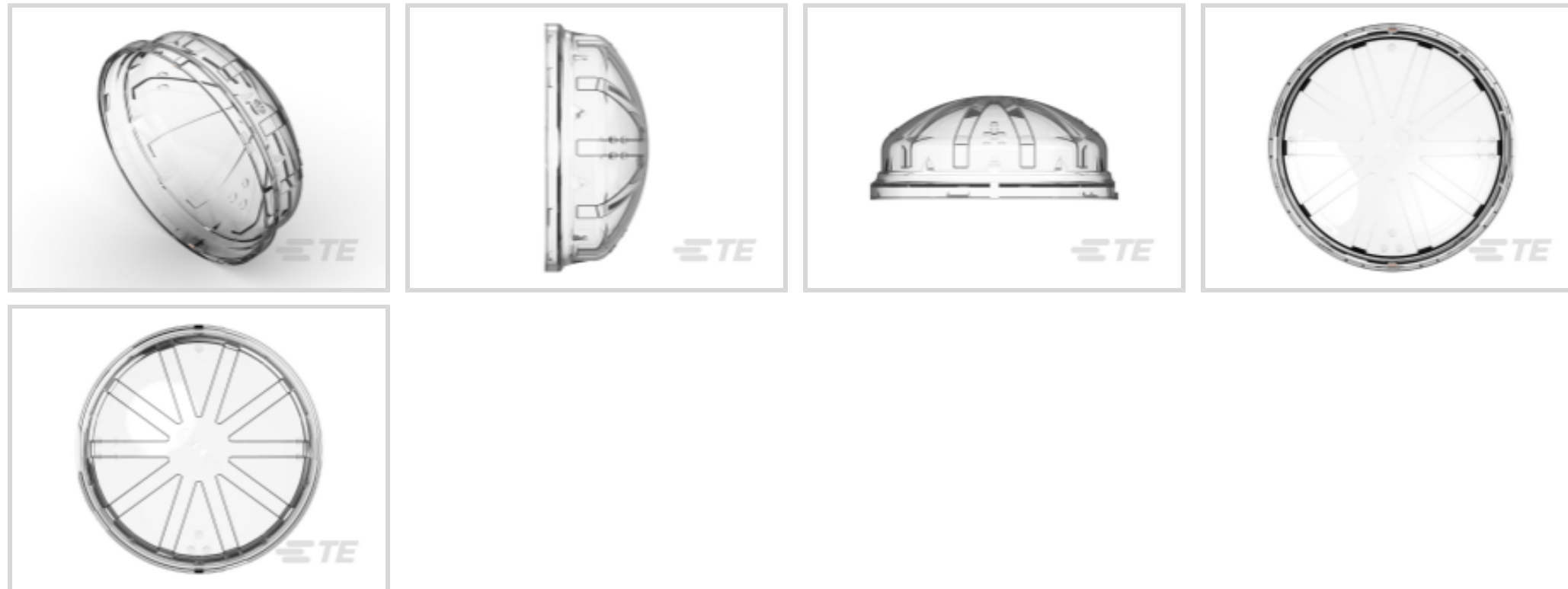
LUMAWISE | LUMAWISE Endurance S

TE Internal #: 3-2328823-1

Connector, Natural, 33.43 mm Height, Keyed / Not Vented, Zhaga, 1 Position, Sealable, -40 – 90 °C [-40 – 194 °F], LUMAWISE Endurance S

[View on TE.com >](#)

Connectors > Lighting Connectors > Street Lighting Controls > Street Lighting Connectors



Lighting Product Type: **Connector**

Primary Product Color: **Natural**

Product Height: **33.43 mm**

Lighting Connector Features Included: **Keyed, Not Vented**

Compatible With Agency/Standards Products: **Zhaga**

### Features

#### Product Type Features

Lighting Product Type	Connector
Sealable	Yes

#### Configuration Features

Lighting Connector Features Included	Keyed, Not Vented
Number of Positions	1

#### Body Features

Primary Product Color	Natural
-----------------------	---------

#### Dimensions

Product Diameter	80 mm
Product Height	33.43 mm

#### Usage Conditions

Operating Temperature Range	-40 – 90 °C[-40 – 194 °F]
-----------------------------	---------------------------

#### Industry Standards

--	--



IP Rating	IP66
Compatible With Agency/Standards Products	Zhaga

## Product Compliance

[For compliance documentation, visit the product page on TE.com>](#)

EU RoHS Directive 2011/65/EU	Compliant
EU ELV Directive 2000/53/EC	Compliant
China RoHS 2 Directive MIIT Order No 32, 2016	有害物质含量符合标准要求 No Restricted Substance(s) Above Threshold
EU REACH Regulation (EC) No. 1907/2006	Current ECHA Candidate List: JUNE 2025 (250) Candidate List Declared Against: JUNE 2025 (250) SVHC > Threshold: UV-329 (.5% in 16981748073) <b>Article Safe Usage Statements:</b> Wash thoroughly after handling. Do not handle until all safety precautions have been read and understood. Recycle if possible and dispose of the article by following all applicable governmental regulations relevant to your geographic location.
Halogen Content	Low Halogen - Br, Cl, F < 900 ppm per homogenous material. Also BFR/CFR/PVC Free
Solder Process Capability	Not reviewed for solder process capability

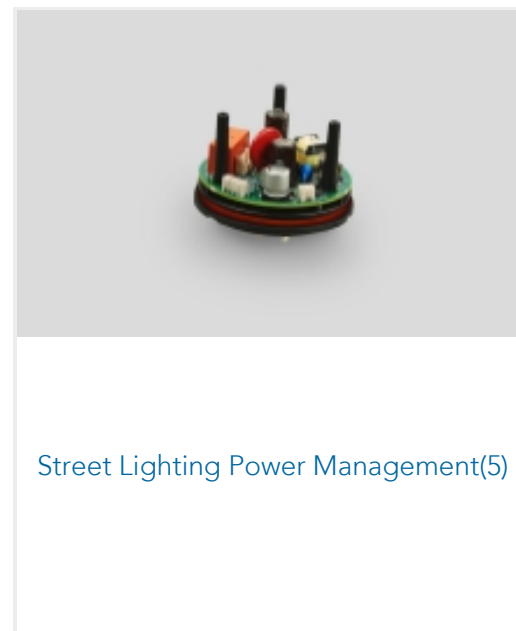
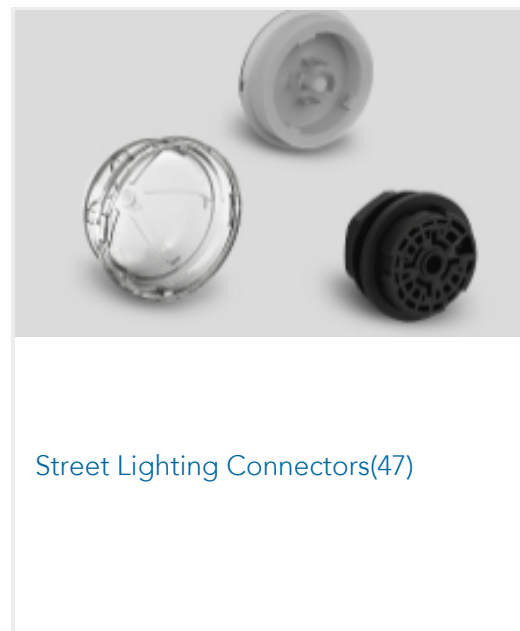
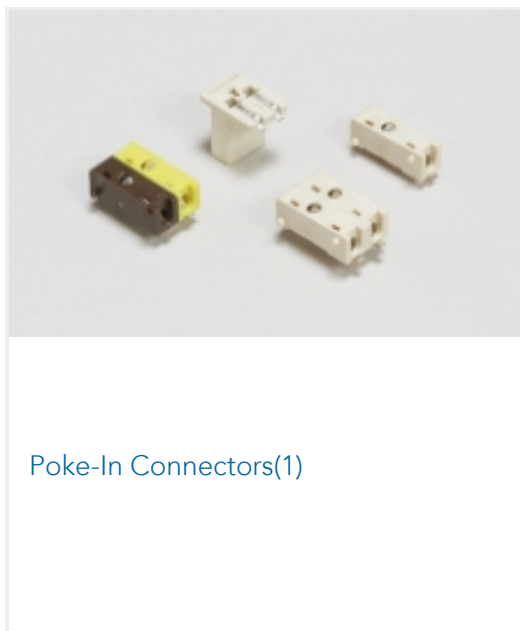
### Product Compliance Disclaimer

This information is provided based on reasonable inquiry of our suppliers and represents our current actual knowledge based on the information they provided. This information is subject to change. The part numbers that TE has identified as EU RoHS compliant have a maximum concentration of 0.1% by weight in homogenous materials for lead, hexavalent chromium, mercury, PBB, PBDE, DBP, BBP, DEHP, DIBP, and 0.01% for cadmium, or qualify for an exemption to these limits as defined in the Annexes of Directive 2011/65/EU (RoHS2). Finished electrical and electronic equipment products will be CE marked as required by Directive 2011/65/EU. Components may not be CE marked. Additionally, the part numbers that TE has identified as EU ELV compliant have a maximum concentration of 0.1% by weight in homogenous materials for lead, hexavalent chromium, and mercury, and 0.01% for cadmium, or qualify for an exemption to these limits as defined in the Annexes of Directive 2000/53/EC (ELV). Regarding the REACH Regulation, the information TE provides on SVHC in articles for this part number is based on the latest European Chemicals Agency (ECHA) 'Guidance on requirements for substances in articles' posted at this URL: <https://echa.europa.eu/guidance-documents/guidance-on-reach>

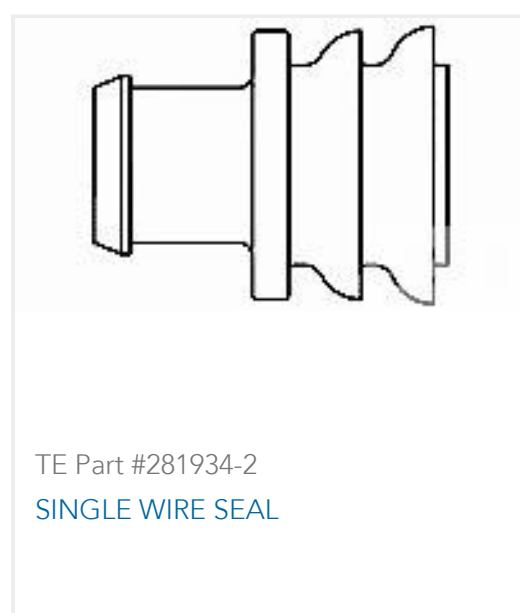
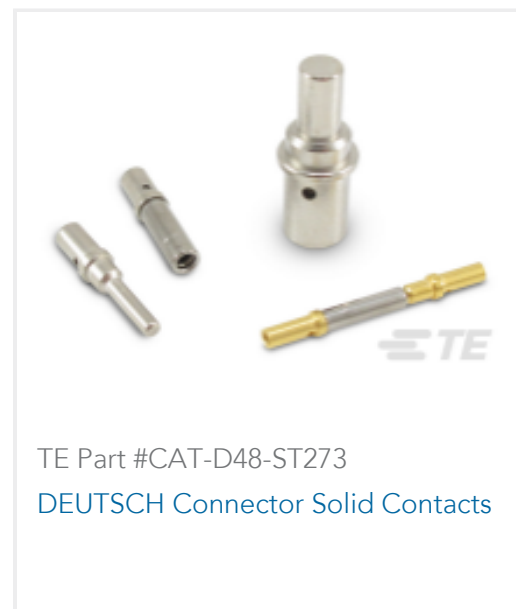
## Compatible Parts



## Also in the Series | LUMAWISE Endurance S



## Customers Also Bought



## Documents

### Product Drawings

LUMAWISE S 80MM DIA DOME CLEAR LOW

English

### CAD Files

3D PDF

3D



**Customer View Model**

[ENG\\_CVM\\_CVM\\_3-2328823-1\\_C.2d\\_dxf.zip](#)

English

**Customer View Model**

[ENG\\_CVM\\_CVM\\_3-2328823-1\\_C.3d\\_igs.zip](#)

English

**Customer View Model**

[ENG\\_CVM\\_CVM\\_3-2328823-1\\_C.3d\\_stp.zip](#)

English

By downloading the CAD file I accept and agree to the [Terms and Conditions](#) of use.

---

**Product Specifications**

[Application Specification](#)

English

---

**Agency Approvals**

[CB\\_CERT\\_IEC\\_61984\\_US\\_34131\\_M1\\_UL\\_C1](#)

English

[UL\\_EU\\_CERT\\_EN\\_61984\\_UL\\_EU\\_01778\\_M1\\_C1](#)

English

[CB\\_CERT\\_US\\_34131\\_M1\\_UL\\_4788988643\\_TR\\_C1](#)

English