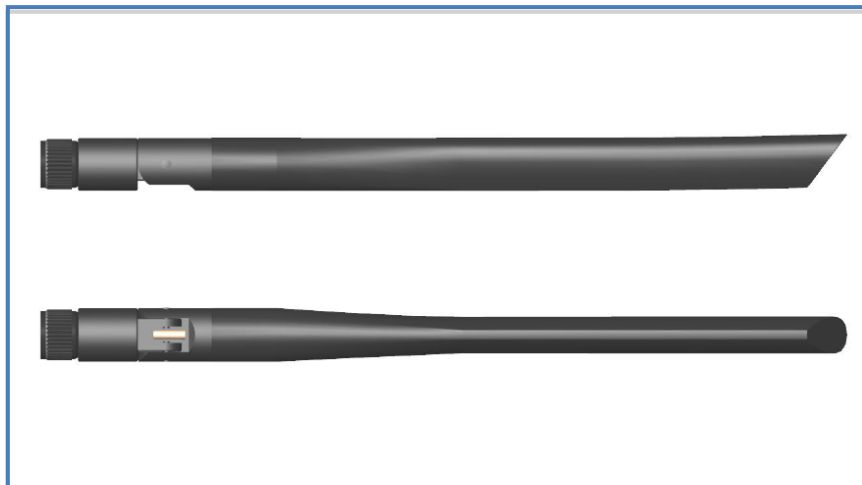




Product Overview

LPRS-ANT-5G-SMA

868 to 928MHz flexible knuckle SMA Antenna



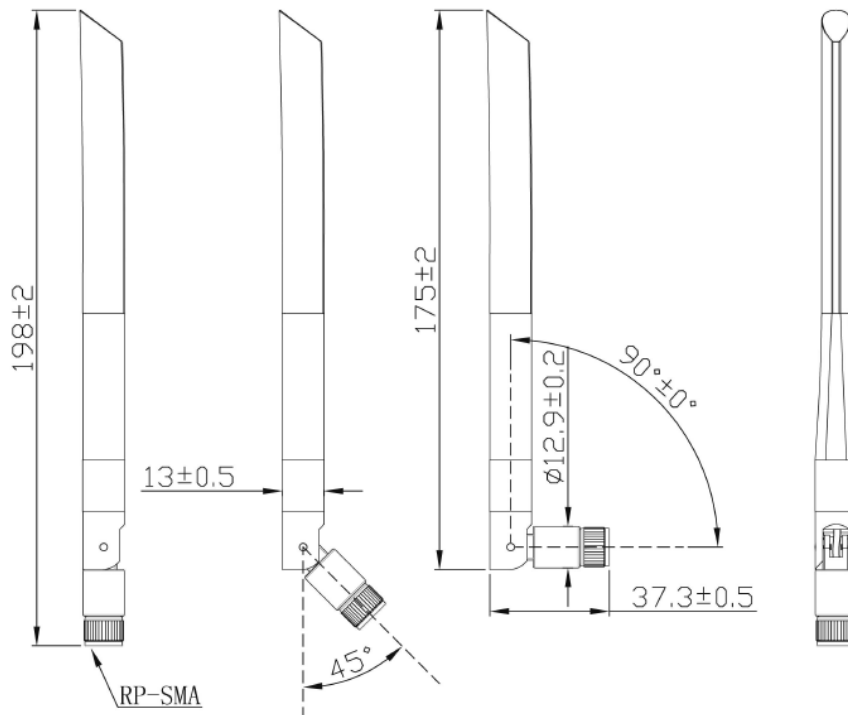
Product Overview

This 5G cellular antenna is also compatible with 2G/3G and 4G applications. Waterproof IP67 rated.

Product Specifications

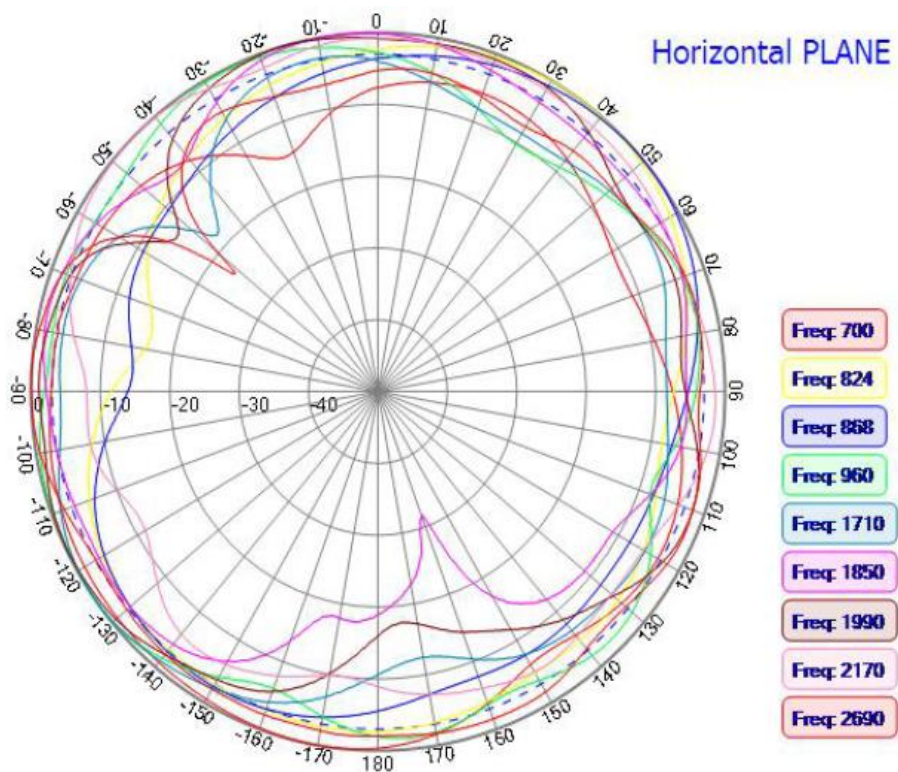
Item	Specifications	
Antenna	Frequency	617~960/1710~2690/ 3300~3800
	Polarization	Linear
	Gain	3dBi
	V.S.W.R	< 3.0
	Impedance	50 Ω
	Connector	SMA male
Environmental	Operating Temp.	-40°C ~+85°C
	Vibration	10 to 55Hz with 1.5mm amplitude 2 hours
	Dimensions	198 x 13 mm
		RoHS Compliant

Dimensions



Unit: mm

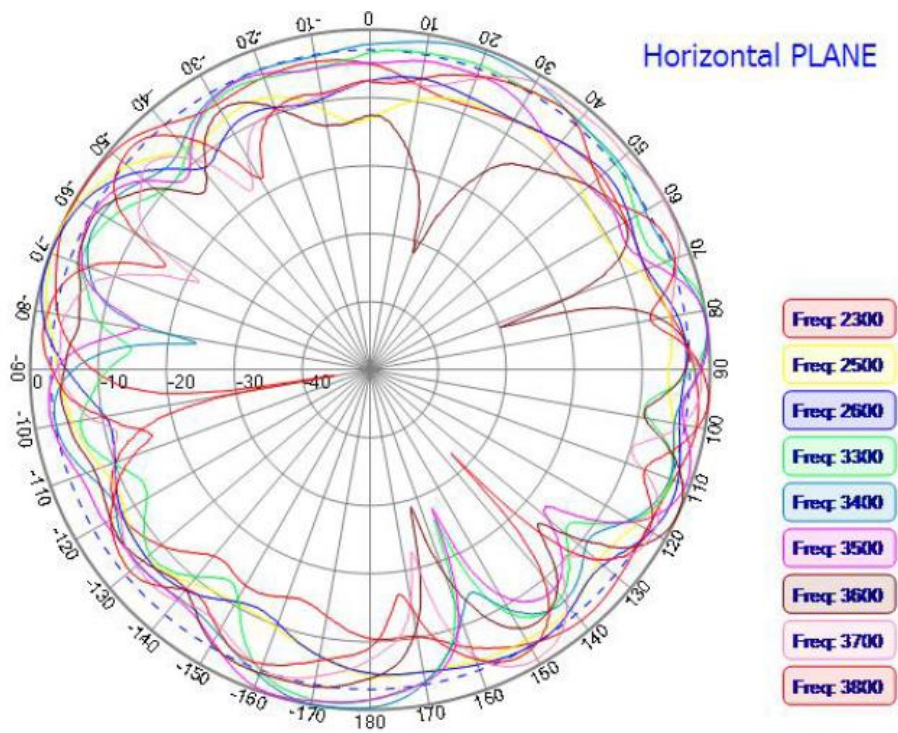
Horizontal Radiation Pattern



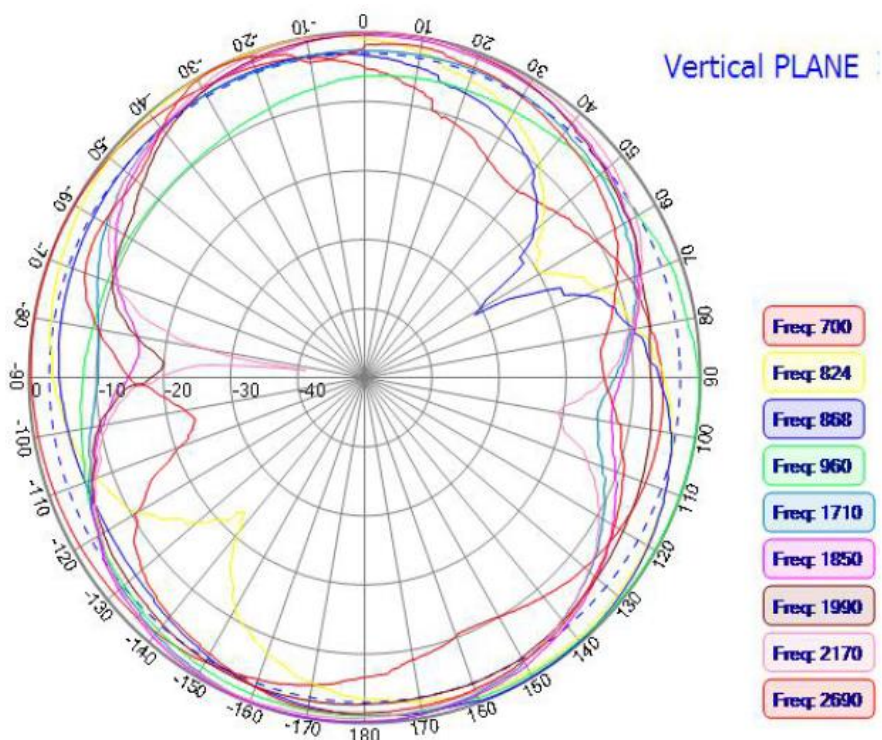
 **LPRS**

Low Power Radio Solutions Ltd
Two Rivers industrial Estate
Station Lane, Witney OX28 4BH, UK
+44(0) 1993 709418
sales@lprs.co.uk

Horizontal Radiation Pattern

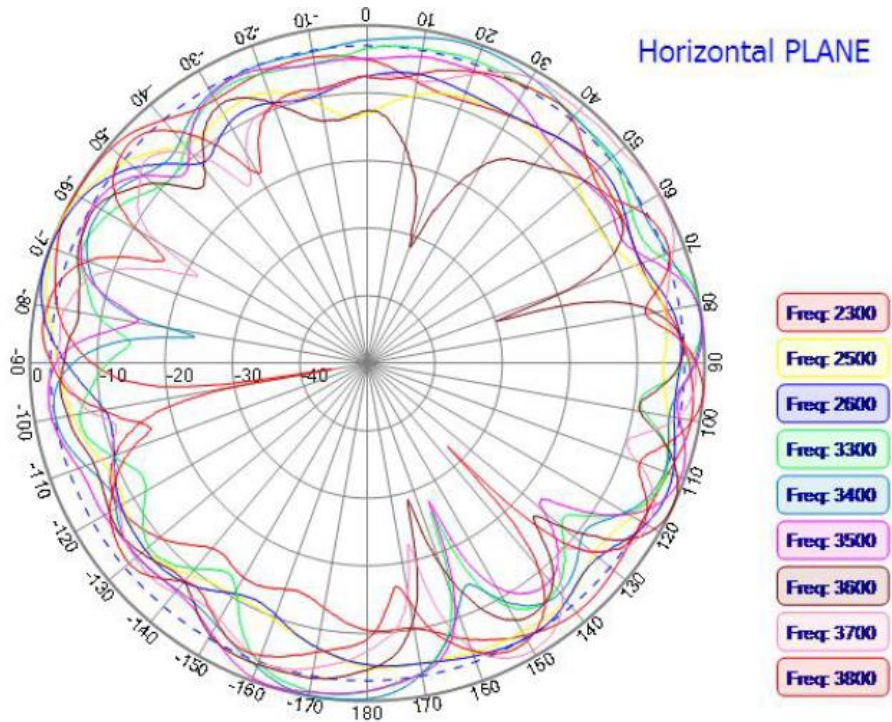


Vertical Radiation Pattern



Low Power Radio Solutions Ltd
Two Rivers industrial Estate
Station Lane, Witney OX28 4BH, UK
+44(0) 1993 709418
sales@lprs.co.uk

Vertical Radiation Pattern



Product Code

Name	Description	Order Code
5G Cellular antenna	5G Cellular SMA antenna	LPRS-ANT-5G-SMA

Accessories

Description	Order code
PCB mount SMA jack	SMACONNECTOR
Right-angled SMA Jack	SMARACONNECTOR
SMA Bulkhead Jack	SMAENDBLKHD-JK
UFL to SMA cable 10cm	LPRS-UFL-N-N-100-SMA-S-F-B
UFL to straight SMA 10cm	LPRS-UFL-N-N-100-SMA-R-F-B



Low Power Radio Solutions Ltd
 Two Rivers industrial Estate
 Station Lane, Witney OX28 4BH, UK
 +44(0) 1993 709418
 sales@lprs.co.uk