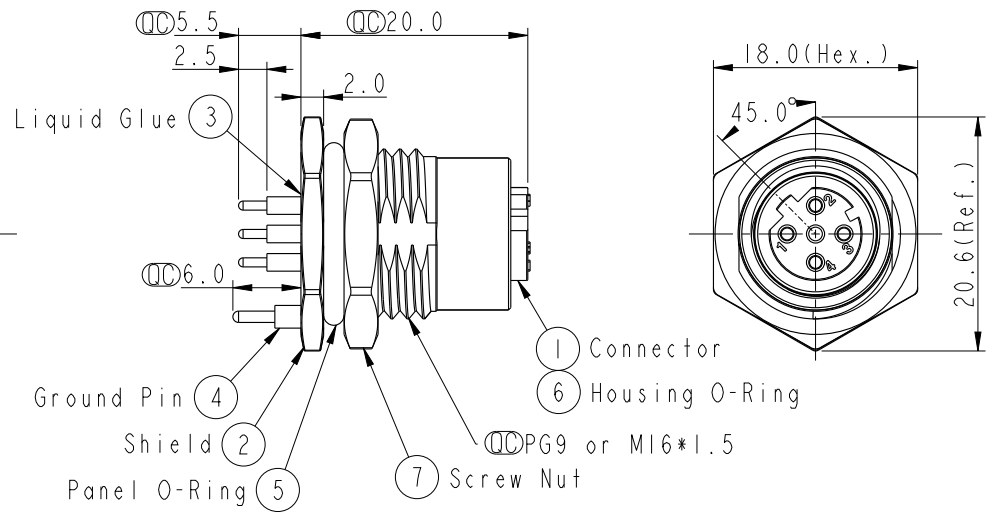
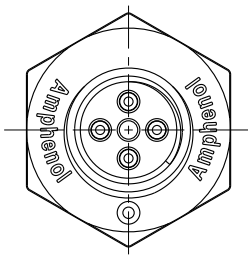
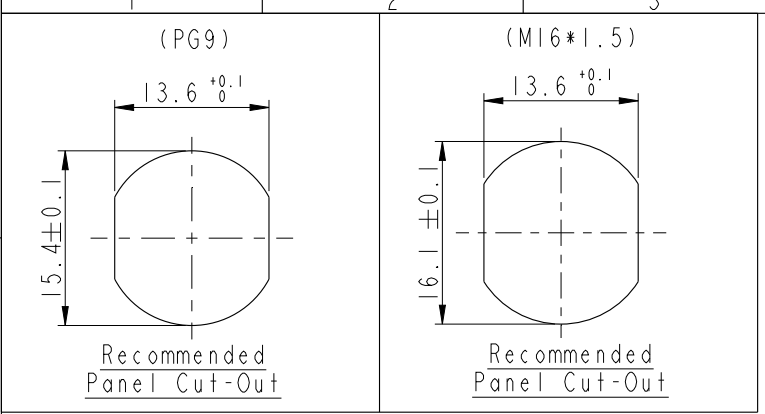
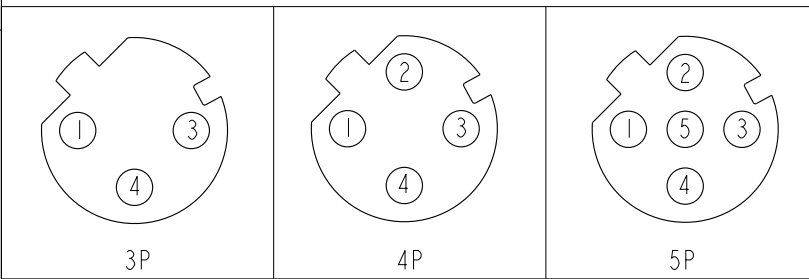
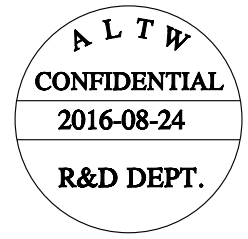


THIS DOCUMENT IS SUBJECT TO CHANGE WITHOUT NOTICE. IT IS CONFIDENTIAL AND A PROPERTY OF Amphenol LTW. DISCLOSURE TO THIRD PARTY HAS TO BE AUTHORIZED BY Amphenol LTW.

REV.	ECN NO.	DATE	SIGN	DESCRIPTION
B	LEN1580023-024	2015/07/24	Yulong_wang	Change to Share Drawing.
C	LEN1690153-154	2016/08/24	Yulong_wang	Add 3, 5 Pin & IP69K.



- Note:
- * \varnothing Important Dimension.
 - * Waterproof Rate: IP68, IP69K.
 - * Housing: Nylon+GF, Black.
 - * Female Pin: Copper Alloy, Gold Plated.
 - * Shield: Zinc Alloy, Nickel Plated.
 - * Ground Pin: Copper Alloy, Gold Plated.
 - * Screw Nut: Zinc Alloy, Nickel Plated.
 - * Panel O-Ring: Viton, Black.
 - * Housing O-Ring: Viton, Green.
 - * Rated Voltage: 3 & 4Pin 250V dc. or ac.
5Pin 60V dc. or ac.
 - * Rated Current: 4A
 - * Operating Temperature: -40~+105°C
 - * For Panel Thickness Max 4.5mm.
 - * Recommended Nut Torque: 4-6 Kgf.cm.



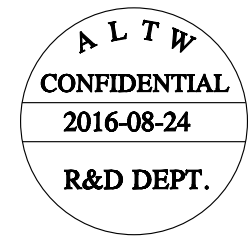
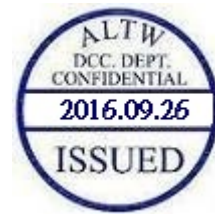
Pin Assignment Front View

UNIT: mm			TITLE M12 D-Code Female Conn. PCB Type Shielded
TOLERANCE .X ±0.25 .XX ±0.1 .XXX ±0.05 ANGLES ±1°	SCALE 3:2	SIZE A4	SHEET 1 OF 2
REV. C	WC-REV. A.5	\varnothing : Inspection item	

Amphenol LTW
安費諾亮泰企業股份有限公司

ITEM NO.	DRAWN BY Yulong_wang	DATE 2016-08-24
DWG NO. MSDS-XXPFFP-SF8XXX	CHECKED BY Jinhai	DATE 2016-08-24
CUSTOMER ALTW	APPROVED BY Jerry	DATE 2016-08-24

THIS DOCUMENT IS SUBJECT TO CHANGE WITHOUT NOTICE. IT IS CONFIDENTIAL AND A PROPERTY OF Amphenol LTW. DISCLOSURE TO THIRD PARTY HAS TO BE AUTHORIZED BY Amphenol LTW.



M SDS - XX P F F P - S F 8 XXX

SDS: D-Code Shielded

03: 3Pin
 04: 4Pin
 05: 5Pin

P: Panel (板端)

F: Female Connector (母座)

F: Female Pin (母Pin)

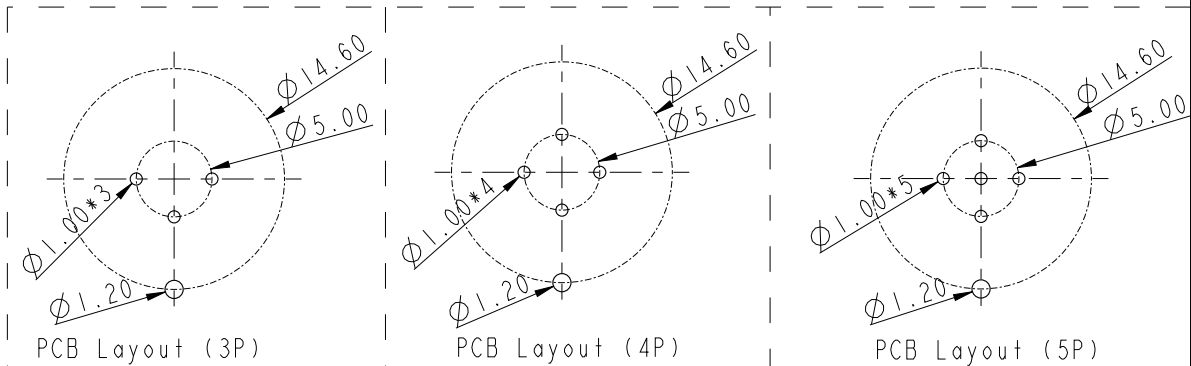
001: PG9
 002: M16*1.5

8: IP68/69K (防水等級68/69K)

F: Front Fasten (前鎖式/Enclosure Rear Mount)

S: Screw (螺紋式)

P: PCB THT/DIP Type (180° 基板插件式)



UNIT: mm		
TOLERANCE	.X	±0.25
	.XX	±0.1
	.XXX	±0.05
ANGLES		±1°

TITLE M12 D-Code Female Conn. PCB Type Shielded			
SCALE 3:2	SIZE A4	SHEET 2 OF 2	
REV. C	WC-REV. A.3	: Inspection item	

Amphenol LTW
 安費諾亮泰企業股份有限公司

ITEM NO	DRAWN BY Yulong_wang	DATE 2016-08-24
DWG NO MSDS-XXPFFP-SF8XXX	CHECKED BY Jinhai	DATE 2016-08-24
CUSTOMER ALTW	APPROVED BY Jerry	DATE 2016-08-24