

D-SUB coupling - VS-09-KU-ST/ST



1689640

<https://www.phoenixcontact.com/gb/products/1689640>

Please be informed that the data shown in this PDF document is generated from our Online Catalog. Please find the complete data in the user documentation. Our General Terms of Use for Downloads are valid.

D-SUB coupling, shell size 1, pin, gender changer, shielded, connection direction straight, IP67 degree of protection



D-SUB coupling - VS-09-KU-ST/ST



1689640

<https://www.phoenixcontact.com/gb/products/1689640>

Commercial Data

Item number	1689640
Packing unit	5 pc
Minimum order quantity	5 pc
Sales Key	ABNFAC
Product Key	ABNFAC
Catalog Page	Page 445 (C-2-2019)
GTIN	4017918910075
Weight per Piece (including packing)	22.2 g
Weight per Piece (excluding packing)	21.81 g
Customs tariff number	85366990
Country of origin	DE

Technical Data

Notes

Safety note

Safety note	<p>WARNING: The connectors may not be plugged in or disconnected under load. Ignoring the warning or improper use may damage persons and/or property.</p>
	<ul style="list-style-type: none"> • WARNING: Commission properly functioning products only. The products must be regularly inspected for damage. Decommission defective products immediately. Replace damaged products. Repairs are not possible.
	<ul style="list-style-type: none"> • WARNING: Only electrically qualified personnel may install and operate the product. They must observe the following safety notes. The qualified personnel must be familiar with the basics of electrical engineering. They must be able to recognize and prevent danger. The relevant symbol on the packaging indicates that only personnel familiar with electrical engineering are allowed to install and operate the product.
	<ul style="list-style-type: none"> • The products are suitable for applications in plant, controller, and electrical device engineering.
	<ul style="list-style-type: none"> • When operating the connectors in outdoor applications, they must be separately protected against environmental influences.
	<ul style="list-style-type: none"> • Assembled products may not be manipulated or improperly opened.
	<ul style="list-style-type: none"> • Only use mating connectors that are specified in the technical data of the standards listed (e.g. the ones listed in the product accessories online at phoenixcontact.com/products).
	<ul style="list-style-type: none"> • When using the product in direct connection with third-party manufacturers, the user is responsible.
	<ul style="list-style-type: none"> • For operating voltages > 50 V AC, conductive connector housings must be grounded
	<ul style="list-style-type: none"> • Only use tools recommended by Phoenix Contact
	<ul style="list-style-type: none"> • The installation notes/Design In documents online on the download page at phoenixcontact.com/products must be observed for this product.
	<ul style="list-style-type: none"> • Use a protective cap to protect connectors that are not in use. The suitable accessories are available online in the accessory section of the product at phoenixcontact.com/products
	<ul style="list-style-type: none"> • Operate the connector only when it is fully plugged in and interlocked.
	<ul style="list-style-type: none"> • Operate the connector only when it is fully plugged in.
	<ul style="list-style-type: none"> • Ensure that when laying the cable, the tensile load on the connectors does not exceed the upper limit specified in the standards.
	<ul style="list-style-type: none"> • Observe the minimum bending radius of the cable. Lay the cable without twisting it.
	<ul style="list-style-type: none"> • VDE 0100/1.97 § 411.1.3.2 and DIN EN 60 204/11.98 § 14.1.3 are applicable when combining several circuits in a cable and/or connector

Product properties

D-SUB coupling - VS-09-KU-ST/ST

1689640

<https://www.phoenixcontact.com/gb/products/1689640>

Type	D-SUB 9
Product type	Data plug
Number of positions	9
Type	Male/Male
Shielded	no
Cable outlet	straight

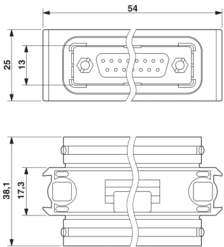
Insulation characteristics

Overvoltage category	III
Degree of pollution	2

Electrical properties

Rated voltage (III/3)	125 V
Rated current	5 A

Dimensions

Dimensional drawing	
Width	38.1 mm
Height	25 mm
Length	54 mm

Material specifications

Color	gray
Flammability rating according to UL 94	V0
Sealing material	EPDM
Contact material	Copper alloy
Contact surface material	Hard gold-plated over nickel
Contact carrier material	Polyester GF
Housing material	PA

Connector

Insertion/withdrawal cycles	≥ 200
-----------------------------	-------

Environmental and real-life conditions

Ambient conditions

Degree of protection	IP67
Ambient temperature (operation)	-40 °C ... 80 °C

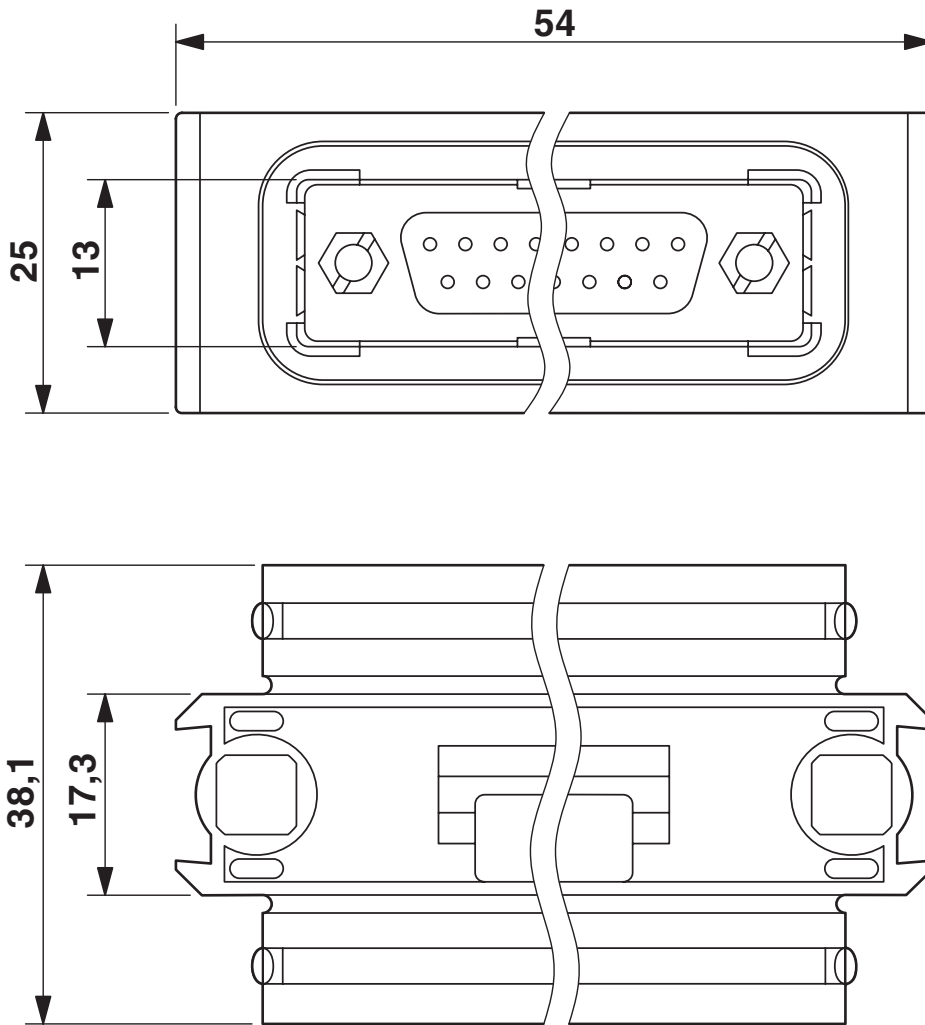
D-SUB coupling - VS-09-KU-ST/ST

1689640

<https://www.phoenixcontact.com/gb/products/1689640>

Drawings

Dimensional drawing



D-SUB coupling

D-SUB coupling - VS-09-KU-ST/ST

1689640

<https://www.phoenixcontact.com/gb/products/1689640>



Approvals



EAC

Approval ID: B.01687

D-SUB coupling - VS-09-KU-ST/ST



1689640

<https://www.phoenixcontact.com/gb/products/1689640>

Classifications

ECLASS

ECLASS-9.0	27440302
ECLASS-10.0.1	27440302
ECLASS-11.0	27440302

ETIM

ETIM 8.0	EC001132
----------	----------

UNSPSC

UNSPSC 21.0	39121400
-------------	----------

D-SUB coupling - VS-09-KU-ST/ST



1689640

<https://www.phoenixcontact.com/gb/products/1689640>

Environmental Product Compliance

China RoHS	Environmentally friendly use period: unlimited = EFUP-e
	No hazardous substances above threshold values

D-SUB coupling - VS-09-KU-ST/ST

1689640

<https://www.phoenixcontact.com/gb/products/1689640>



Accessories

D-SUB protective cover

D-SUB protective cover - VS-09-SD - 1887086

<https://www.phoenixcontact.com/gb/products/1887086>

D-SUB protective cover, material: PA, housing size: 1, color: gray



Phoenix Contact 2022 © - all rights reserved

<https://www.phoenixcontact.com>

PHOENIX CONTACT Ltd

Halesfield 13, Telford

Shropshire, TF7 4PG

01952 681700

info@phoenixcontact.co.uk